

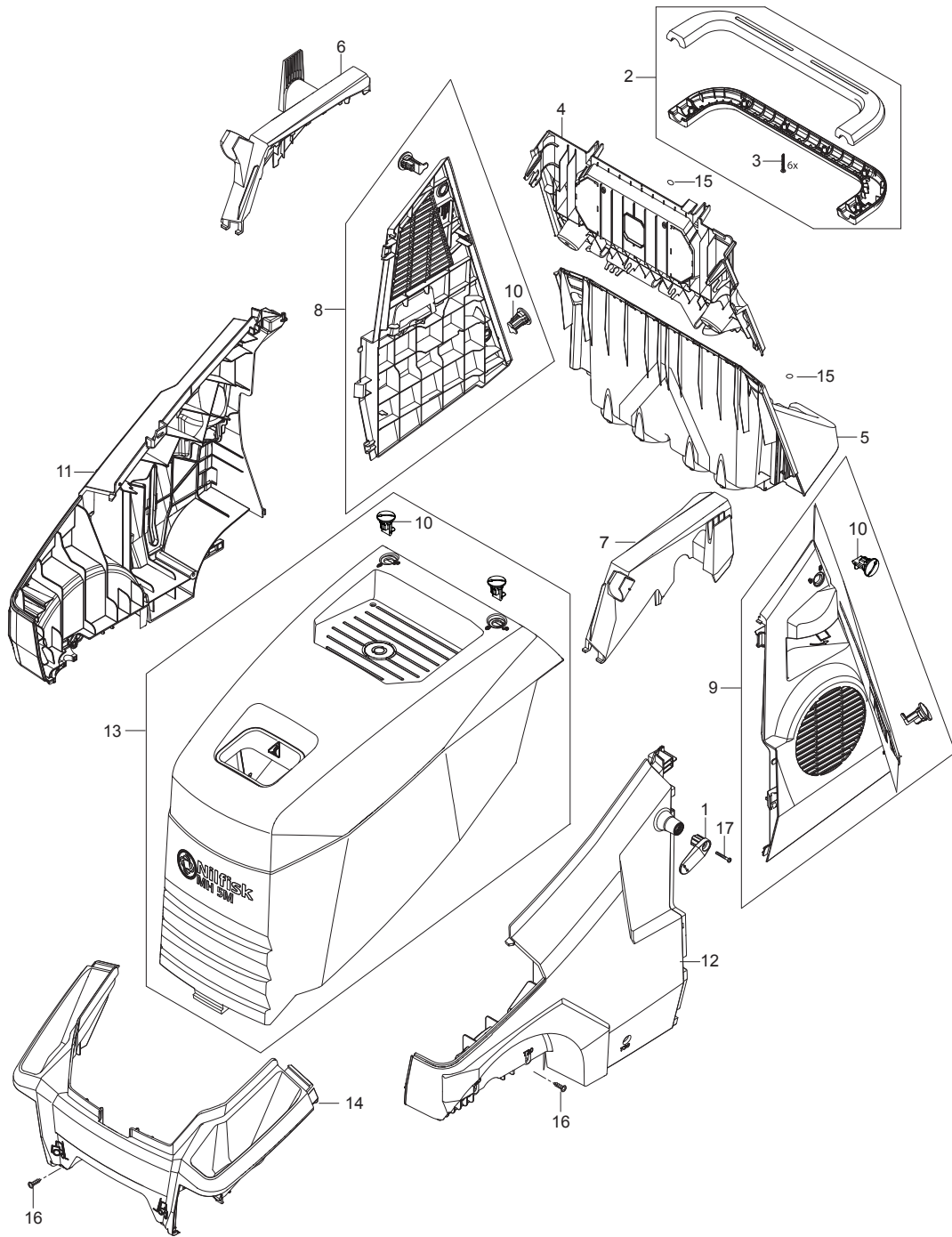
PARTS LIST



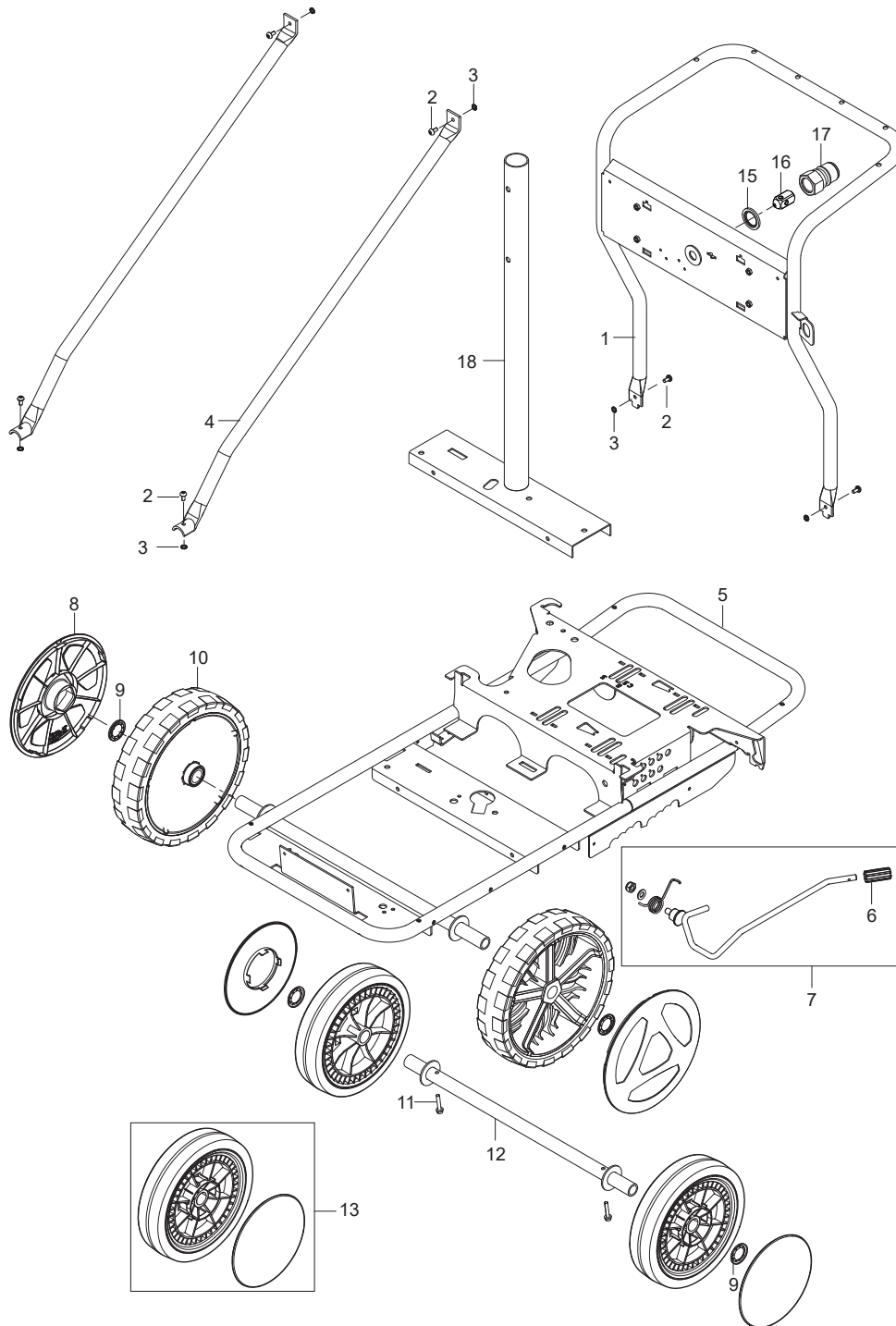
2022.12.09

TABLE OF CONTENTS

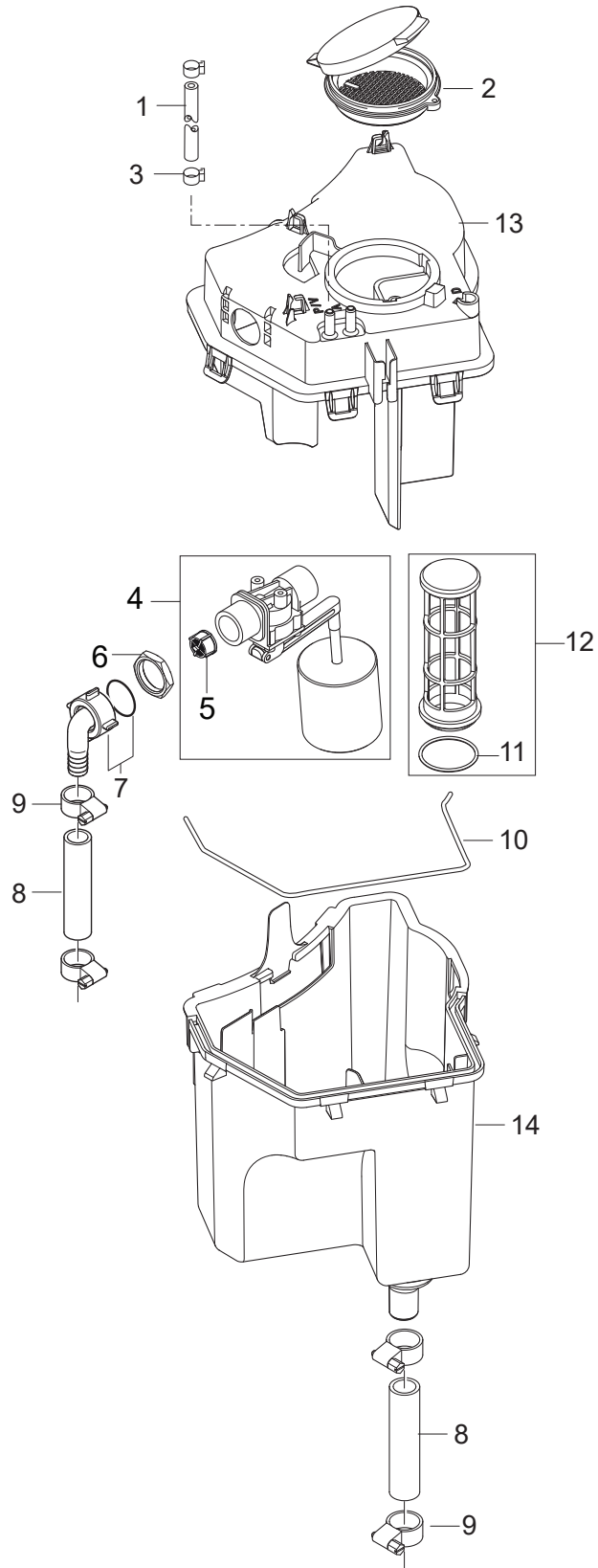
| | |
|---|----|
| Cabinet..... | 1 |
| Chassis large..... | 3 |
| Water break tank..... | 5 |
| Electric box for motor 1~,3~ STAR and 3~ DELTA..... | 7 |
| Water inlet_PA..... | 9 |
| Anti-scale..... | 11 |
| Fuel tank 30L..... | 13 |
| Burner..... | 15 |
| Electric box for motor Star/Delta..... | 17 |
| 1x detergent..... | 19 |
| Electric box..... | 21 |
| Cables and wires..... | 24 |
| Motor pump..... | 26 |
| Cylinder block..... | 28 |
| Water flow regulation_FA..... | 30 |
| Unloader_PA..... | 32 |
| Water inlet_FA..... | 34 |
| Flow control FA..... | 36 |
| Hose reel..... | 38 |
| Flow control PA_ w manometer..... | 40 |
| Fan..... | 42 |
| Boiler B5..... | 44 |



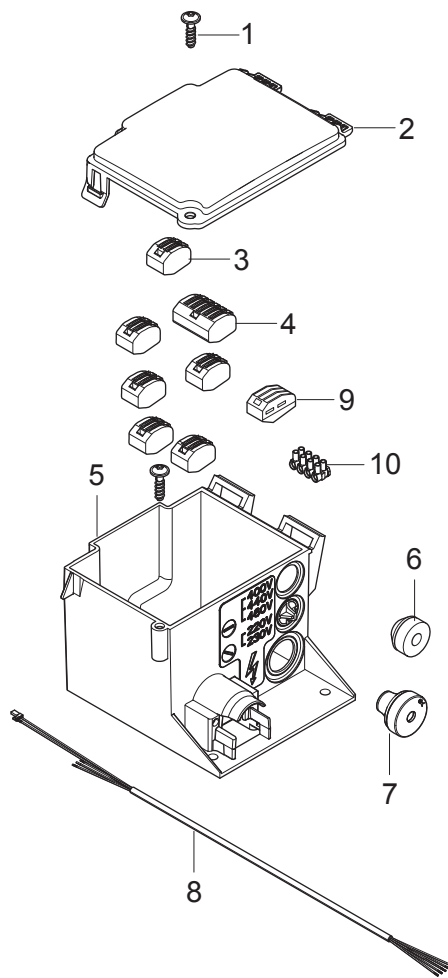
| Pos. | Artikel-Nr. | Menge | Variante | Notes |
|------|-------------|-------|--|-------|
| 1 | 107143025 | 1 | CABLE HOOK CLAMP BLUE | |
| 2 | 101118192 | 1 | HANDLE KIT | |
| 3 | 909100148 | 6 | Ejotschraube K40x30 WN 14 | |
| 4 | 107143013 | 1 | REAR END TOP | |
| 5 | 107143014 | 1 | REAR END BOTTOM | |
| 6 | 107143021 | 1 | COVERING FOR HANDLE RIGHT | |
| 7 | 107143022 | 1 | COVERING FOR HANDLE LEFT | |
| 8 | 107143023 | 1 | DOOR W/LOCKS MPU NA5-NA6 RIGHT | |
| 9 | 107143019 | 1 | DOOR LEFT W/LOCKS | |
| 10 | 301001261 | 6 | Verriegelung | |
| 11 | 107143130 | 1 | SIDE BUMPER LARGE RIGHT | |
| 12 | 107143131 | 1 | SIDE BUMPER LARGE LEFT | |
| 13 | 101118201 | 1 | CABINET MH 5M NILFISK KIT | |
| 14 | 107143015 | 1 | FRONT BUMPER | |
| 15 | 107143009 | 6 | BLIND PLUG D16.5 FOR T30 BLACK PE | |
| 16 | 107143018 | 12 | SCREW M6X16 | |
| 17 | 107141838 | 7 | SCHRAUBE K50X18 WN1451 SCHWARZ TORX 20 | |



| Pos. | Artikel-Nr. | Menge | Variante | Notes |
|------|-------------|-------|-------------------------------|-------|
| 1 | 31001157 | 1 | FRAME HANDLE | |
| 2 | 107143018 | 6 | SCREW M6X16 | |
| 3 | 107143146 | 6 | WASHER SERRATED M6 | |
| 4 | 31001158 | 2 | HANDLE STIFFENER LONG | |
| 5 | 31001159 | 1 | FRAME LARGE WELDED | |
| 6 | 107143028 | 1 | BRAKE KNOB | |
| 7 | 101118229 | 1 | BRAKE ARM LONG KIT | |
| 8 | 107145780 | 2 | RADKAPPE FUER RAD Ø300X65 | |
| 9 | 46363 | 4 | Klemmscheibe | |
| 10 | 107145637 | 2 | RAD D300X65 (STARCO) | |
| 11 | 107143027 | 2 | SCREW M6X35 SW10 DIN7500D FZB | |
| 12 | 31001160 | 1 | WHEEL AXLE REAR | |
| 13 | 107143304 | 2 | Rad D250 mit Abdeckung | |
| 15 | 1801075 | 1 | Dichtring | |
| 16 | 107143066 | 1 | PISTON | |
| 17 | 1600493 | 1 | Anschlussstück | |
| 18 | 31001161 | 1 | BOILER TUBE W. BRACKET LARGE | |



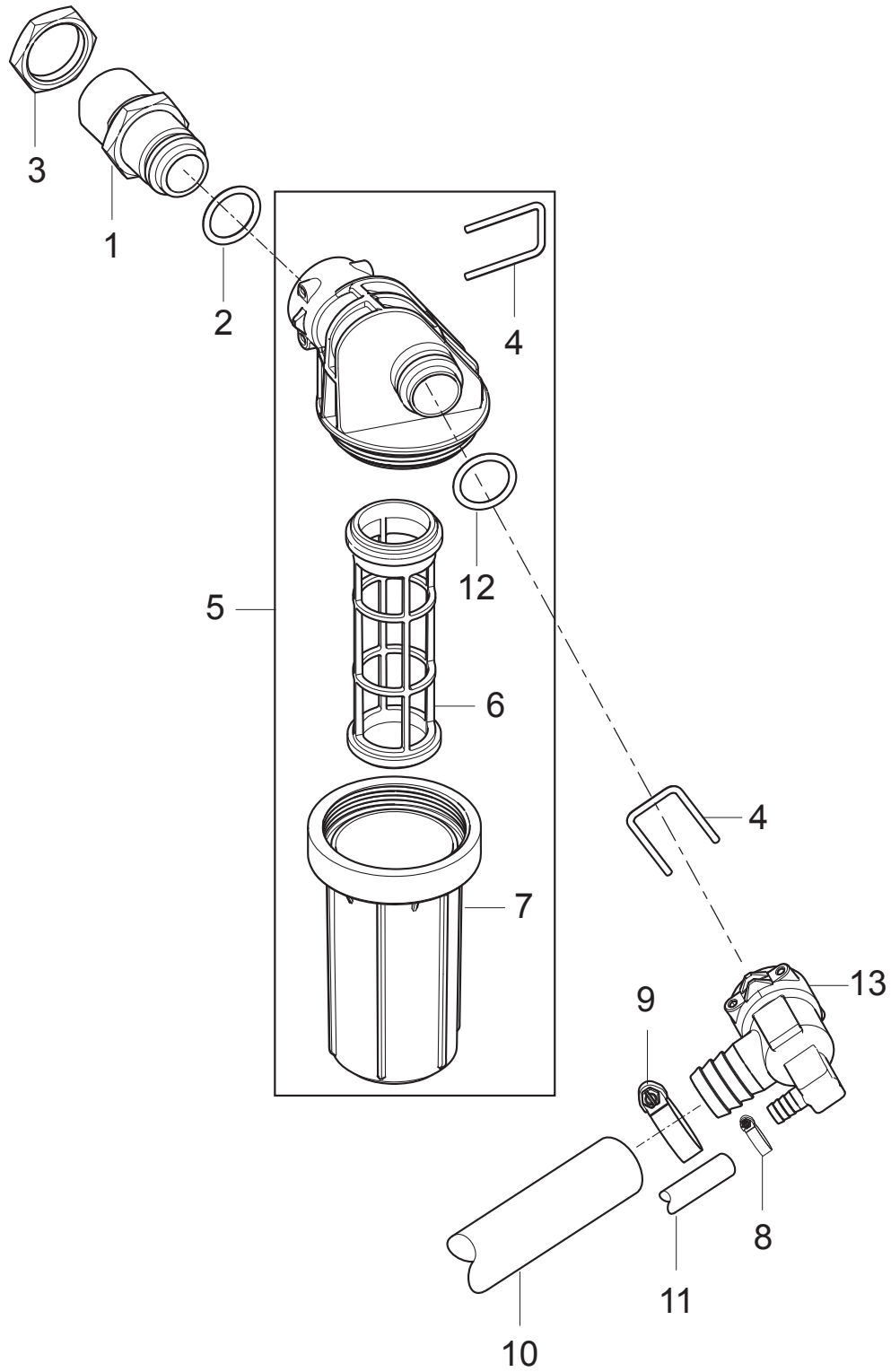
| Pos. | Artikel-Nr. | Menge | Variante | Notes |
|------|-------------|-------|--|-------|
| 1 | 101406100 | 1 | Schlauch 6x3 mm x 5 m | |
| 2 | 301000561 | 1 | Deckel RP-Behälter | |
| 3 | 301001133 | 2 | Schlauchklemme 10/7 | |
| 4 | 101117784 | 1 | Schwimmventil | |
| 5 | 34218 | 1 | Filter Ø19 KU | |
| 6 | 1800341 | 1 | Gegenmutter 3/4 | |
| 7 | 107143084 | 1 | HOSE COUPLING 90° 20X3/4 PP W/NUT/GASKET | |
| 8 | 107143031 | 1 | FUELFLEX HOSE D28/D20 10BAR/20° | |
| 9 | 8298 | 4 | Schlauchschele SGL 16-27 | |
| 10 | 101406054 | 1 | Dichtung | |
| 11 | 107143032 | 1 | O-RING D30X2 SHORE70 NBR BLACK | |
| 12 | 106403194 | 1 | FILTER FOR WATER BREAK TANK ACCESSORY | |
| 13 | 107143060 | 1 | COVER FOR WATER TANK | |
| 14 | 107143030 | 1 | WATER BREAK TANK | |



| Pos. | Artikel-Nr. | Menge | Variante | Notes |
|------|-------------|-------|--|-------|
| 1 | 107141838 | 1 | SCHRAUBE K50X18 WN1451 SCHWARZ TORX 20 | |
| 2 | 301000782 | 1 | Deckel | |
| 3 | 107143069 | 6 | SNAP TERMINAL 2 POL | |
| 4 | 301002165 | 1 | Anschlussklemmenkäfig | |
| 5 | 107143074 | 1 | E-BOX | |
| 6 | 3803764 | 1 | Stopfbuchse TET 5-7C | |
| 7 | 3803772 | 1 | Tülle | |
| 8 | 107143075 | 1 | MOTOR CABLE 5G1.5 FOR 3~ | [1] |
| 8 | 107143076 | 1 | MOTOR CABLE 5G1.5 FOR 1~ | [2] |
| 8 | 107143071 | 1 | MOTOR CABLE 5G2.5 FOR STAR/DELTA | [3] |
| 8 | 107143129 | 1 | MOTOR CABLE 4G4 DELTA MH5-6-7 | [4] |
| 9 | 107143069 | 1 | SNAP TERMINAL 2 POL | [5] |
| 10 | 107143158 | 1 | TERMINAL BLOCK 4-POL 10MM2 | [6] |

Part Notes:

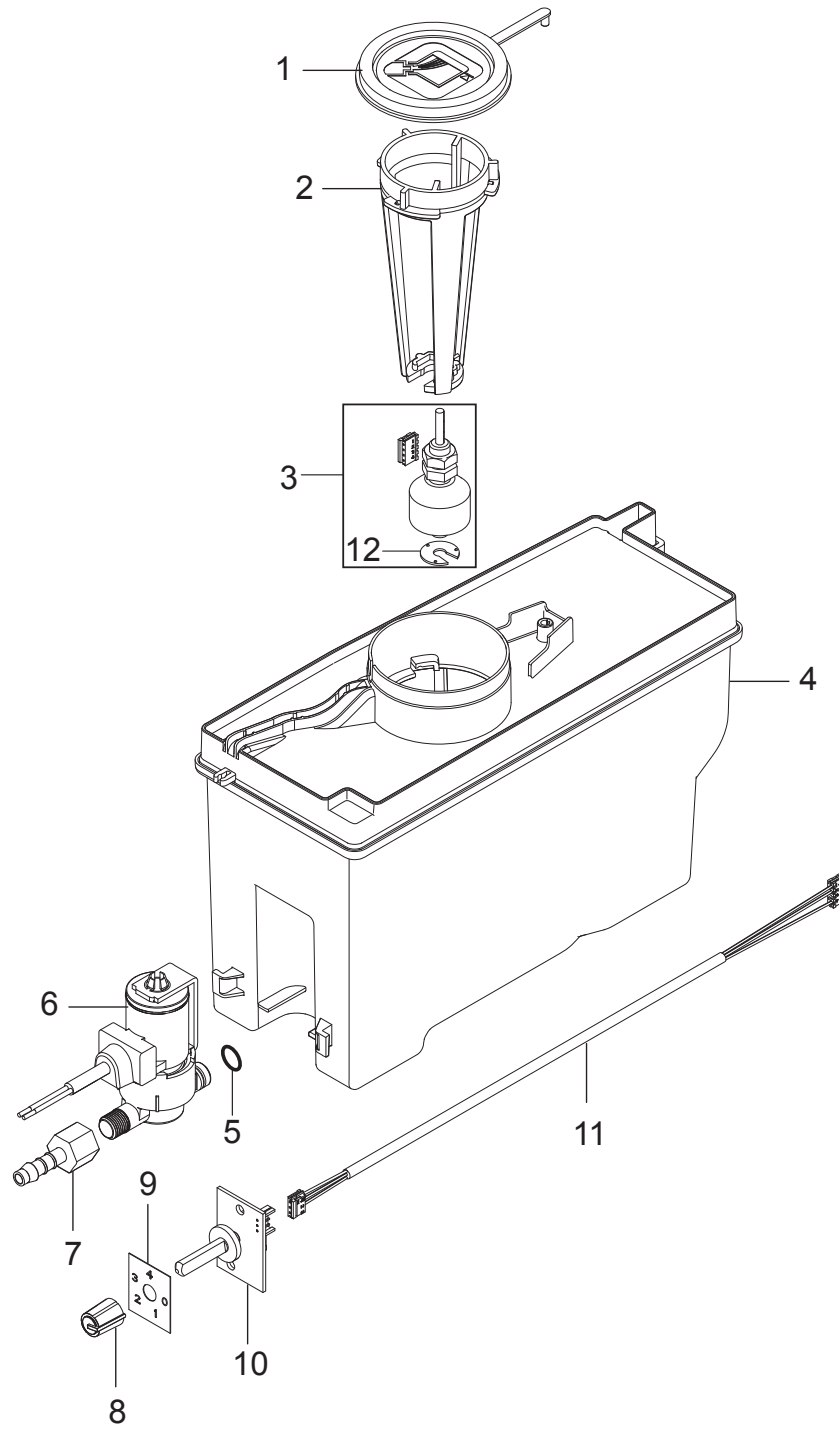
- [1] - MH4, MH5-200
- [2] - MH4 1ph, MH5 1ph
- [3] - MH4 (JP), MH5 (not MH5-200), MH6, MH7
- [4] - MH6 JP, MH7JP
- [5] - 1~
- [6] - MH5-6-7 - Delta, JP



| Pos. | Artikel-Nr. | Menge | Variante | Notes |
|------|-------------|-------|--------------------------------------|-------|
| 1 | 107143086 | 1 | FITTING FOR WATER INLET | |
| 2 | 107143088 | 2 | O-RING 18.72X2.62 | |
| 3 | 1800341 | 1 | Gegenmutter 3/4 | |
| 4 | 107143085 | 2 | LOCK PIN | |
| 5 | 107144272 | 1 | FILTER CPL. MH 5000MM2 50µ ACCESSORY | |
| 6 | 31001100 | 1 | FILTER CARTRIDGE WITHOUT FLANGE | [1] |
| 7 | 31001011 | 1 | Glas für Wasserfilter | [1] |
| 8 | 11654 | 1 | Schlauchklemme 11,5 | |
| 9 | 8298 | 1 | Schlauchschele SGL 16-27 | |
| 10 | 107143031 | 1 | FUELFLEX HOSE D28/D20 10BAR/20° | |
| 11 | 101406100 | 1 | Schlauch 6x3 mm x 5 m | |
| 12 | 107143088 | 1 | O-RING 18.72X2.62 | |
| 13 | 107143089 | 1 | WATER INLET FITTING FOR PA | |

Part Notes:

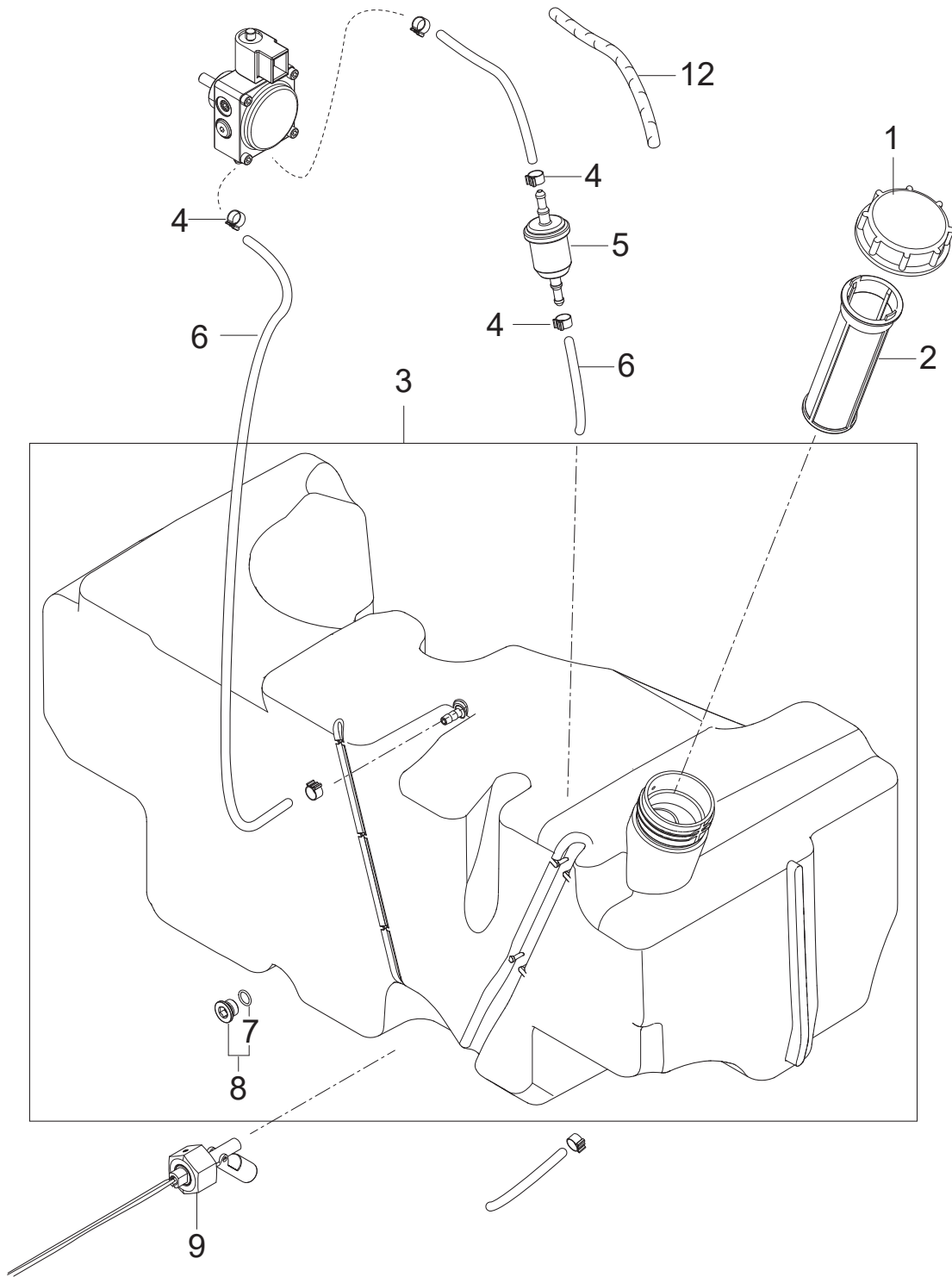
- [1] - TSB-PPW-2020-006 Water inlet filter cartridge and filter glass improved
 TSB-PPW-2020-06 Cartouche de filtre d'entrée d'eau et bocal de filtre amélioré
 DE TSB-PPW-2020-006 Wasserzulauffilter Glas und Filtereinsatz verbessert



| Pos. | Artikel-Nr. | Menge | Variante | Notes |
|------|-------------|-------|-----------------------------------|-------|
| 1 | 45646 | 1 | Deckel | |
| 2 | 107143040 | 1 | LEVELSENSOR BRACKET FOR ANTISCALE | |
| 3 | 101118214 | 1 | FLOAT SWITCH KIT | |
| 4 | 107143041 | 1 | ANTISCALE TANK CPL. | |
| 5 | 31001036 | 1 | O-RING 6X2 NBR 70SH | |
| 6 | 107143037 | 1 | DOSING VALVE RPE 24VAC | |
| 7 | 107143036 | 1 | HOSE FITTING D6X1/8 PA | |
| 8 | 107318222 | 1 | PUSH-ON KNOB 11MM/6MMD/WH | |
| 9 | 107143042 | 1 | LABEL FOR ANTISCALE | |
| 10 | 101117730 | 1 | PCB FOR POTENTIOMETER | |
| 11 | 107143038 | 1 | CABLE FOR ADJUSTMENT ANTI SCALE | |
| 12 | 107142593 | 1 | HOLDING WASHER PE | [1] |

Part Notes:

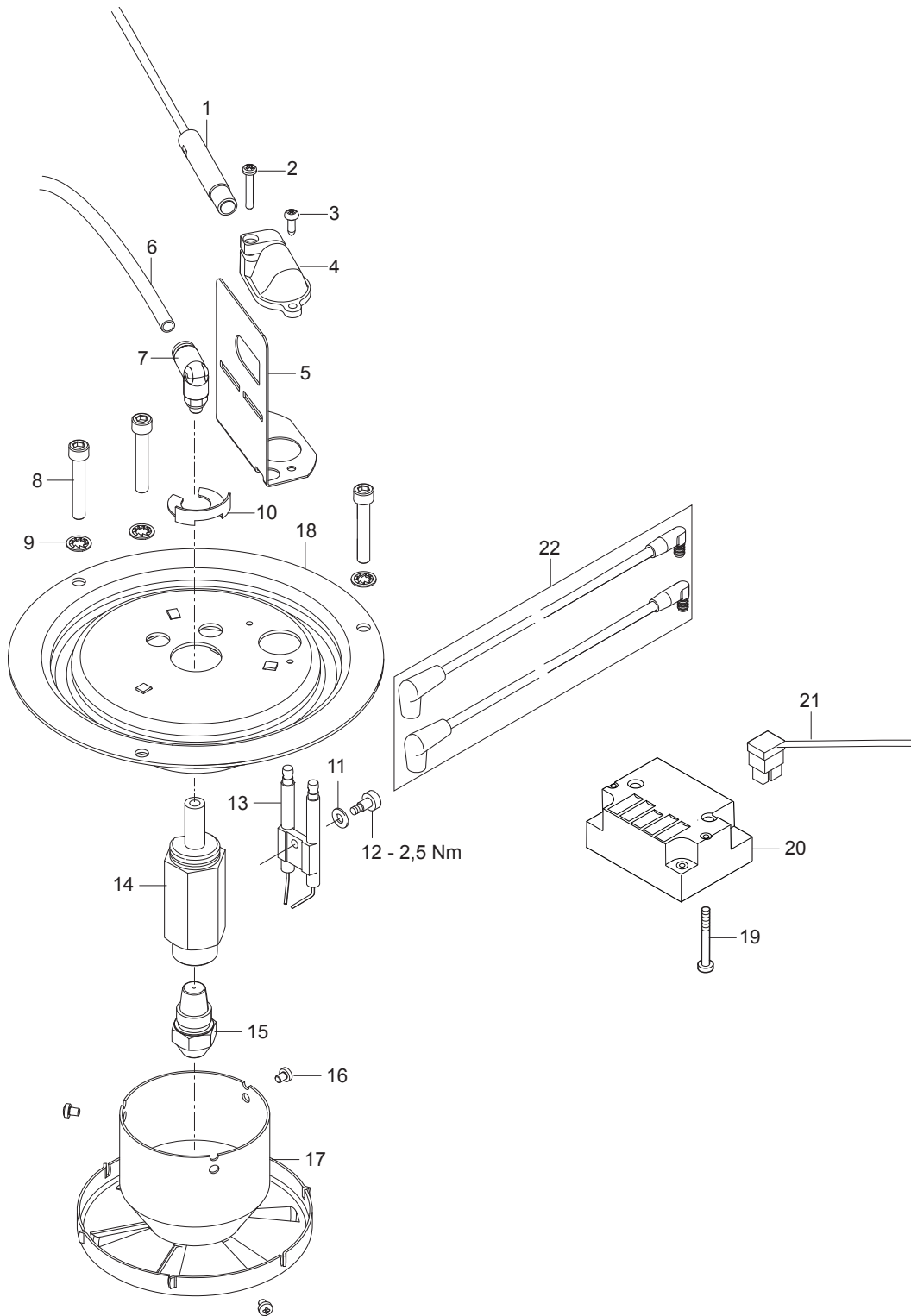
- [1] - TSB-PPW-2016-017 Locking ring for oil level switch falling off



| Pos. | Artikel-Nr. | Menge | Variante | Notes |
|------|-------------|-------|------------------------|-------|
| 1 | 107143034 | 1 | FUEL TANK LID - RED | |
| 2 | 107144862 | 1 | Tankfilter Ø49,5X140 | |
| 3 | 107143136 | 1 | FUEL TANK 30L | |
| 4 | 301001133 | 6 | Schlauchklemme 10/7 | |
| 5 | 301002926 | 1 | Filter 101X36.5X6 KU | |
| 6 | 106408244 | 0.35 | HOSE D6X2.5 - 5 METERS | |
| 7 | 3000072 | 1 | O-Ring 10,1 X 1,6 SMS | |
| 8 | 6180906 | 1 | Verschlussschraube | [1] |
| 9 | 107143033 | 1 | LEVEL SENSOR FUEL TANK | |
| 10 | 107143164 | 1 | BEND PROTECTOR | [2] |

Part Notes:

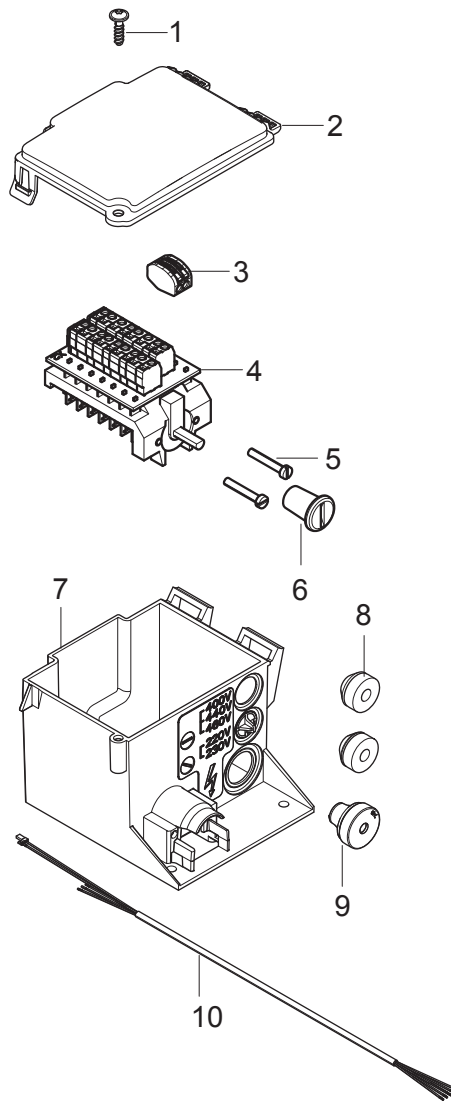
- [1] - STOCK COVERS GUARANTEE
- [2] - DE TSB-PPW-2017-006 MH 3, 4, 5, 6, 7 Kraftstoffschlauch kann durch zu st...
TSB-PPW-2017-006 MH 3, 4, 5, 6, 7 Fuel hose can bend and block for fuel



| Pos. | Artikel-Nr. | Menge | Variante | Notes |
|------|-------------|-------|-----------------------------------|-------|
| 1 | 107143100 | 1 | FLAME SENSOR WITH CABLE | |
| 2 | 5606 | 1 | Blechschaube 2,9x19 | |
| 3 | 4036 | 1 | Blechschaube 2,9x9,5 | |
| 4 | 301000934 | 1 | Halter | |
| 5 | 107143101 | 1 | SHIELD FOR FLAME SENSOR | |
| 6 | 909100141 | 1 | Brennstoffleitung 4x1 mm x 1 m | |
| 7 | 101117913 | 1 | Winkelverschraubung | |
| 8 | 3873 | 3 | Schraube M5x30 | |
| 9 | 3376 | 3 | Fächerscheibe 5,3 -A- DIN 6798 VA | |
| 10 | 101117876 | 1 | Sicherungsring | |
| 11 | 909100144 | 1 | Federscheibe B5 | |
| 12 | 909100143 | 1 | Schraube M4x4,5 | |
| 13 | 301150009 | 1 | Elektrode | |
| 14 | 101117915 | 1 | Düsenstock | |
| 15 | 301000886 | 1 | Düse 1.75 GAL 60 Grad | |
| 16 | 51848 | 3 | Linsenschraube M3x 4 DIN 7985 zn | |
| 17 | 301001834 | 1 | Stauscheibe | |
| 18 | 301000606 | 1 | Deckel | [1] |
| 19 | 909100149 | 2 | Ejotschraube K50x50 WN 14 | |
| 20 | 101117759 | 1 | Zündtransformator 220-240 | [2] |
| 21 | 107143098 | 1 | PRIMARY CABLE FOR IGNITION COIL | |
| 22 | 101118220 | 1 | 2 X IGNITION CORDS KIT | |

Part Notes:

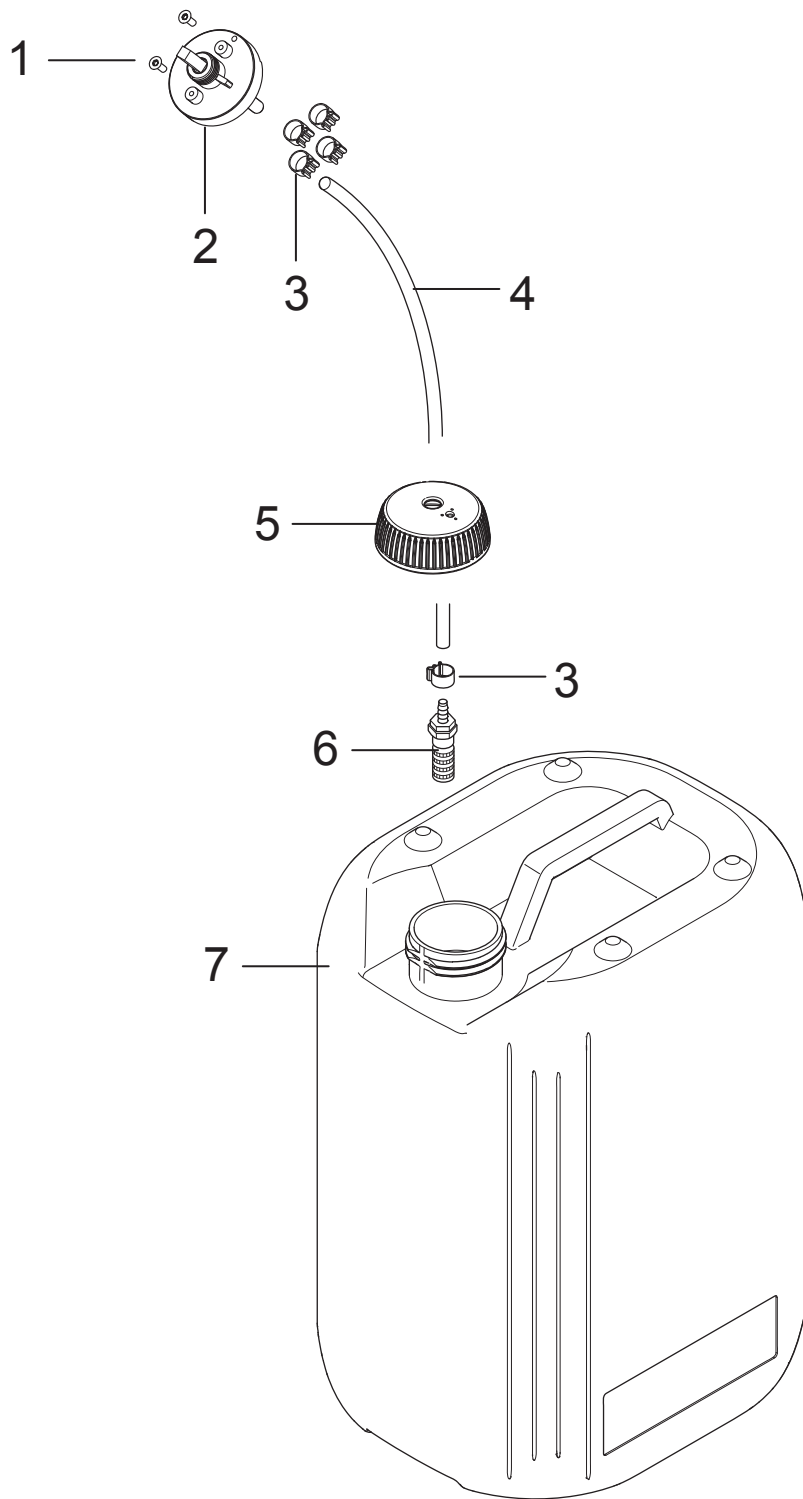
- [1] - MH5, MH6, MH7, MH8
 [2] - TSB-PPW-2018-004 Boiler cannot start - no ignition
 FR TSB-PPW-2018-004 Le bruleur ne démarre plus
 DE TSB-PPW-2018-004 Brenner startet nicht - keine Zündung



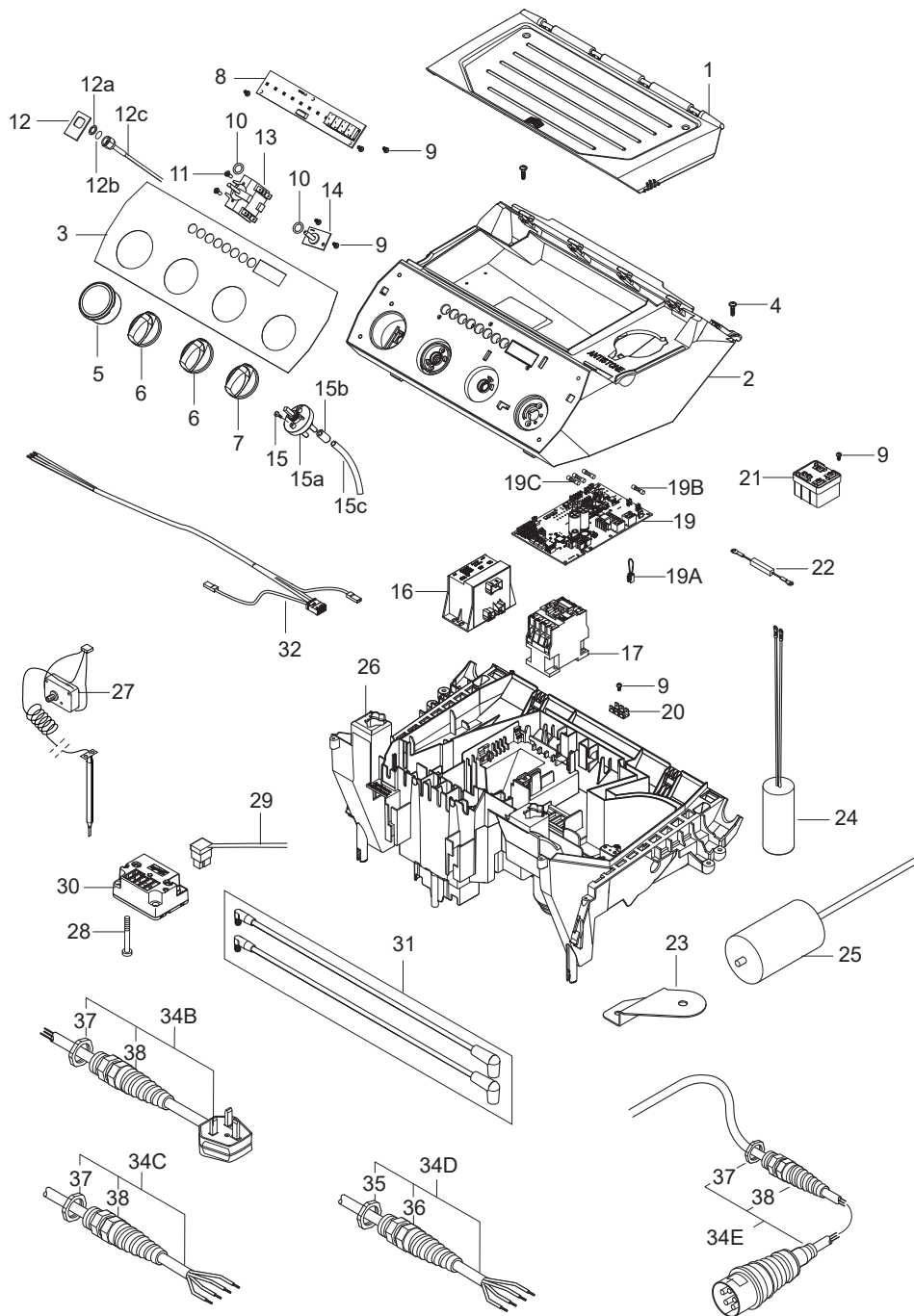
| Pos. | Artikel-Nr. | Menge | Variante | Notes |
|------|-------------|-------|--|-------|
| 1 | 107141838 | 1 | SCHRAUBE K50X18 WN1451 SCHWARZ TORX 20 | |
| 2 | 301000782 | 1 | Deckel | |
| 3 | 107143069 | 1 | SNAP TERMINAL 2 POL | |
| 4 | 107143073 | 1 | PCB SWITCH STAR/DELTA | |
| 5 | 101117739 | 2 | Flachkopfschraube | |
| 6 | 64580 | 1 | Drehknopf | [1] |
| 7 | 107143074 | 1 | E-BOX | |
| 8 | 3803764 | 2 | Stopfbuchse TET 5-7C | |
| 9 | 3803772 | 1 | Tülle | |
| 10 | 107143071 | 1 | MOTOR CABLE 5G2.5 FOR STAR/DELTA | |

Part Notes:

- [1] - TSB-PPW-2016-007 Rotary knob for Voltage selector switch 230V-400V must be sealed with lacquer
DE TSB-PPW-2016-007 Drehknopf des Spannungsauswahlschalters 230V-400V muss mit Lack versiegelt werden



| Pos. | Artikel-Nr. | Menge | Variante | Notes |
|------|-------------|-------|-------------------------------------|-------|
| 1 | 1814730 | 2 | Schraube 3,5x10 | |
| 2 | 301001000 | 1 | Ventil | |
| 3 | 301001133 | 8 | Schlauchklemme 10/7 | |
| 4 | 106408243 | 1 | HOSE 1/4INCH TRANSPARENT - 5 METERS | |
| 5 | 107141664 | 2 | Deckel | |
| 6 | 107145440 | 2 | Sieb Ventil Komplettsset | |
| 7 | 80518 | 1 | Behälter | |



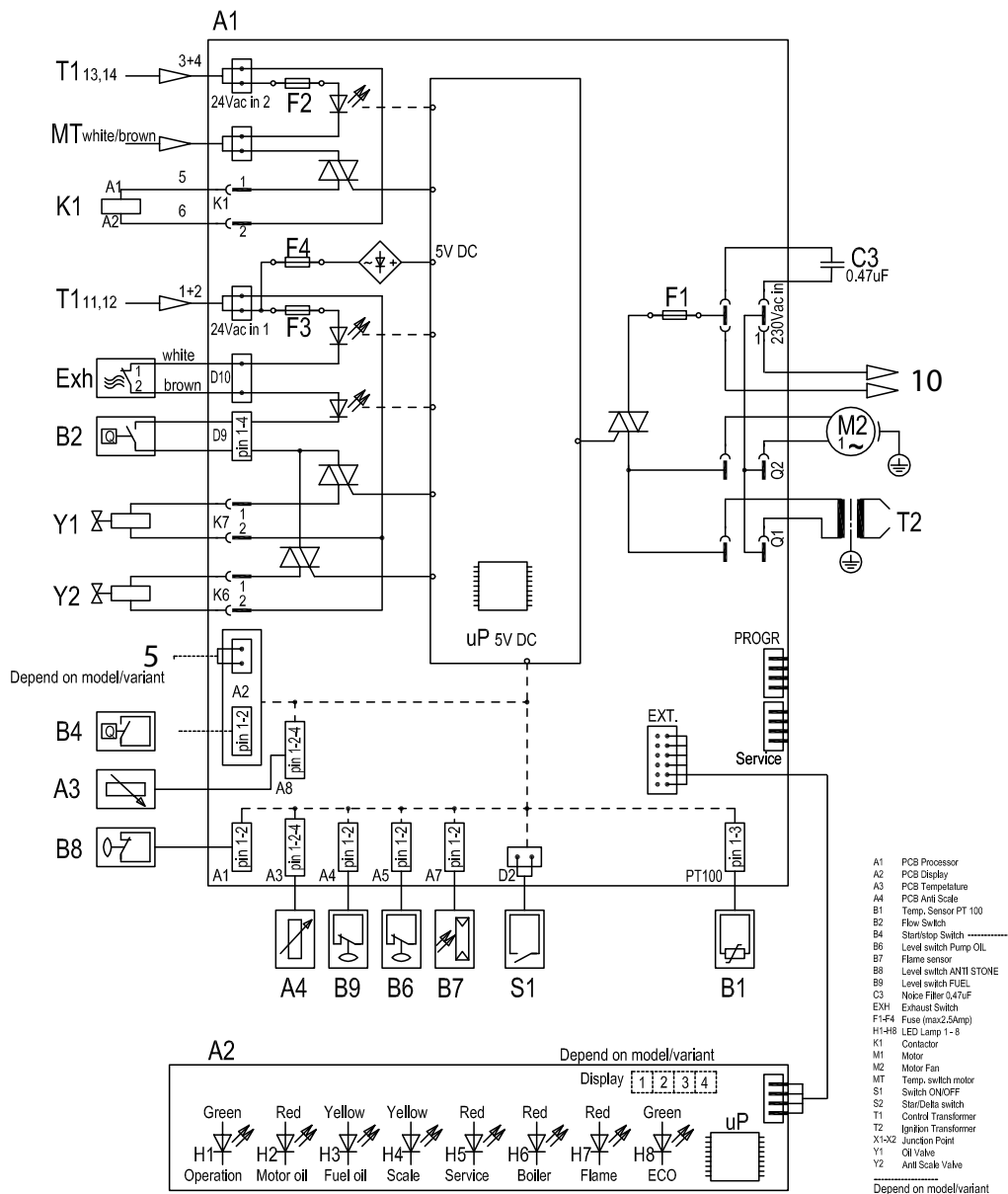
| Pos. | Artikel-Nr. | Menge | Variante | Notes |
|------|-------------|-------|--|-------|
| 1 | 107143046 | 1 | TOOL BOX LID | |
| 2 | 107143045 | 1 | E-BOX TOP | |
| 3 | 107143153 | 1 | LABEL F. CONTROL PANEL FULL SPEC NILFISK | |
| 4 | 107141838 | 2 | SCHRAUBE K50X18 WN1451 SCHWARZ TORX 20 | |
| 5 | 107141648 | 1 | MANOMETER 0-300 BAR | |
| 6 | 909100204 | 2 | Drehknopf 6x5 blau | |
| 7 | 909100214 | 1 | Schalter GR 1 4 Kt | |
| 8 | 107143154 | 1 | PCBA NEO UI DISPLAY CPL. MH | |
| 9 | 909100046 | 5 | Schraube 4x8 | |
| 10 | 9868 | 2 | O-Ring 10x2,5 | |
| 11 | 18274 | 2 | Senkschraube M4x12 | |
| 12 | 107141650 | 1 | Halter | |
| 12a | 107141651 | 1 | Scheibe DIN125-A13 | |
| 12b | 31000508 | 1 | O-RING NBR | |
| 12c | 102406647 | 1 | Manometerrohr | |
| 13 | 28877 | 1 | Schalter | |
| 14 | 101117730 | 1 | PCB FOR POTENTIOMETER | |
| 15 | 1814730 | 2 | Schraube 3,5x10 | |
| 15a | 301001000 | 1 | Ventil | |
| 15b | 301001906 | 1 | Verschlusskappe | |
| 15c | 106408243 | 1 | HOSE 1/4INCH TRANSPARENT - 5 METERS | |
| 16 | 107143051 | 1 | POWER TRANSFORMER 230/400V 2X24V | |
| 16 | 107143064 | 1 | POWER TRANSFORMER 220-240V/440-460V | |
| 16 | 107143068 | 1 | POWER TRANSFORMER 115 / 200V | |
| 17 | 103822306 | 1 | Schütz CJX2-D18-B7 24V | [1] |
| 17 | 103822313 | 1 | Schütz 100-C23KJ10 | [2] |
| 17 | 103822317 | 1 | Schütz CJX2-D32-B7 24V | [3] |
| 19 | 107143151 | 1 | PCBA MH | [4] |
| 19A | 101221031 | 1 | Jumper f. Servicerückstellung | |
| 19B | 31001190 | 1 | FUSE 6.3A 5X20 MM 250V | |
| 19C | 15846 | 3 | Sicherung 5x20 2,5A T | |
| 20 | 107307326 | 1 | ERDUNGSANSCHLUSS 6 PIN | |
| 21 | 107142761 | 1 | START RELAY RVA4G0C | |
| 22 | 107141730 | 1 | DISCHARGE RESISTOR 15KOHM/7W | [5] |
| 23 | 107143134 | 1 | BRACKET FOR CAPACITOR | [5] |
| 24 | 107143182 | 1 | CAPACITOR 70UF 450/500V RP-3 | [6] |
| 25 | 107141619 | 1 | CAPACITOR 170MF | [5] |
| 26 | 107143062 | 1 | E-BOX BOTTOM | |
| 27 | 106268028 | 1 | Abgas Sicherheits Thermostat Kit | |
| 28 | 909100149 | 2 | Ejotschraube K50x50 WN 14 | |
| 29 | 107143098 | 1 | PRIMARY CABLE FOR IGNITION COIL | |
| 30 | 101117759 | 1 | Zündtransformator 220-240 | [7] |
| 31 | 101118220 | 1 | 2 X IGNITION CORDS KIT | |
| 32 | 107143056 | 1 | CABLE FOR POWER TRAF0 PRIM 230V | |
| 32 | 107143063 | 1 | CABLE FOR POWER TRANSFORMER PRIM 400V | |
| 32 | 107143072 | 1 | CABLE F. POWER TRANSFORMER PRIM 230/400 | |
| 34B | 101117812 | 1 | Netzkabel H07RN BS13 | [8] |
| 34C | 101118182 | 1 | POWER CORD H07RN 4G2.5X6M GND 6.3X0.8 NO | [9] |
| 34D | 107143126 | 1 | POWER CORD 4X5.5MM2 X9M | [10] |
| 34E | 101118222 | 1 | POWER CORD H07RN 4G1,5 CEE5 | [11] |
| 35 | 909100198 | 1 | Schnur Befestigung | |
| 36 | 909100020 | 1 | Sechskantmutter M25x1,5 EN 50262 PA | |
| 37 | 909100019 | 1 | Sechskantmutter M20x1,5 EN 50262 PA | |
| 38 | 909100043 | 1 | Kabelverschraubung | |

Part Notes:

- [1] - MH5M-100/760 UK, MH5M-200/960 EU, MH5M-210/1100 EU,
MH6P-175/1250 EU, MH6M-200/1300 EU, MH7P-180/1260 EU
- [2] - MH5M-210/1100 NO, MH7P-180/1260 NO, MH8P-180/2000 EU

- [3] - MH5M-210/1100 EXP, MH6P-200/1300 NO, MH6P-210/1100 JP, MH6P-210/1300 EXP, MH7P-180/1260 JP
- [4] - TSB-PPW-2018-014 MH models Software update
DE TSB-PPW-2018-014 MH-Modele Software Update
- [5] - 1ph
- [6] - 1ph

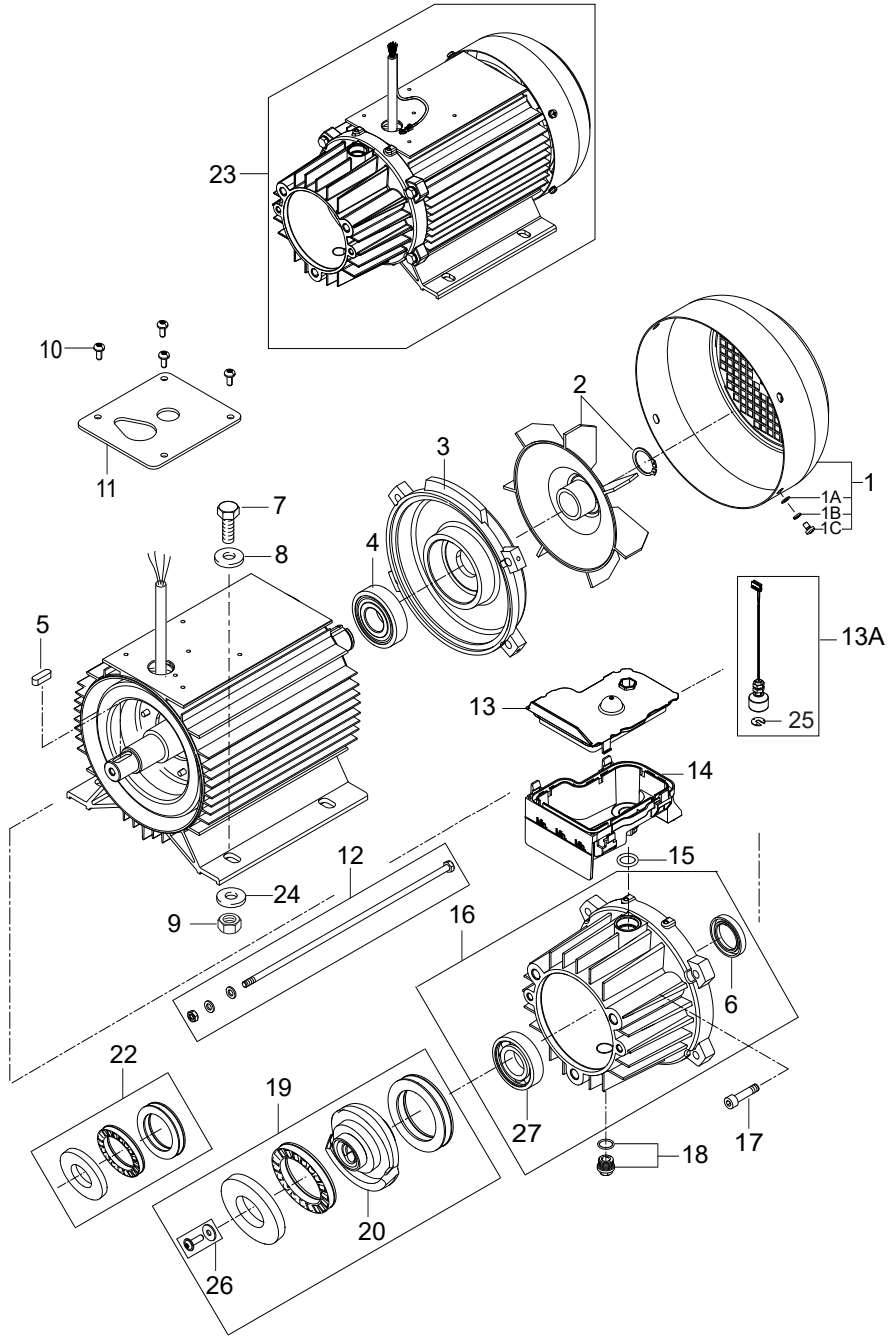
TSB-PPW-2018-003 MH_MC change of start relay and run capacitor
TSB-PPW-2018-003 MH_MC Changement du relais de démarrage et du condensateur de fonctionnement
- [7] - TSB-PPW-2018-004 Boiler cannot start - no ignition
FR TSB-PPW-2018-004 Le bruleur ne démarre plus
DE TSB-PPW-2018-004 Brenner startet nicht - keine Zündung
- [8] - MH5M-100/760 UK
- [9] - MH 5M-210/1100 EXP+NO, MH6P-200/1300 EXP+NO, MH7P-180/1260 NO
- [10] - MH6P-210/1100 JP, MH7P-180-1260 JP
- [11] - MH5M-200/960 EU, MH5M-210/1100 EU, MH6P-175/1250 EU, MH6P-200/1300 EU, MH7P-180/1260 EU



| Pos. | Artikel-Nr. | Menge | Variante | Notes |
|------|-------------|-------|--|-------|
| T1 | 107143052 | 2 | CABLE FOR POWER TRANSFORMER SEC 6X0.75 | |
| MT | 107143070 | 1 | CABLE FOR MT | |
| K1 | 107143052 | 1 | CABLE FOR POWER TRANSFORMER SEC 6X0.75 | |
| Exh | 107143055 | 1 | CABLE FOR HOT WATER MODE AND EXH. SWITCH | |
| B2 | 107143121 | 1 | REED SWITCH NO W/CABLE | |
| Y1 | 107143095 | 1 | CABLE FOR SOLENOID VALVE 2X0.5 | |
| Y2 | 107143037 | 1 | DOSING VALVE RPE 24VAC | |
| 5 | 101118188 | 1 | MICRO-SWITCH KIT | [1] |
| B4 | 107143121 | 1 | REED SWITCH NO W/CABLE | [2] |
| A3 | 107143043 | 1 | CABLE FOR TEMPERATURE ADJUSTMENT | |
| B8 | 101118214 | 1 | FLOAT SWITCH KIT | |
| A4 | 107143038 | 1 | CABLE FOR ADJUSTMENT ANTI SCALE | |
| B9 | 107143033 | 1 | LEVEL SENSOR FUEL TANK | |
| B6 | 101118173 | 1 | OIL SENSOR W/PLUG KIT | [3] |
| B7 | 107143100 | 1 | FLAME SENSOR WITH CABLE | |
| S1 | 107143055 | 1 | CABLE FOR HOT WATER MODE AND EXH. SWITCH | |
| B1 | 107143083 | 1 | TEMPERATUR SENSOR PT100 W/CABLE | |
| A2 | 107143053 | 1 | CABLE FOR UI | |
| T2 | 107143098 | 1 | PRIMARY CABLE FOR IGNITION COIL | |
| M2 | 107143096 | 1 | MOTOR BURNER - 0.23KW/230V/50HZ/1PH | [4] |
| M2 | 107143097 | 1 | MOTOR BURNER 390W/200-240V/50/60HZ | [5] |
| 10 | 107143054 | 1 | WIRE BLACK L=400 | |
| C3 | 101117867 | 1 | Entstörglied | |

Part Notes:

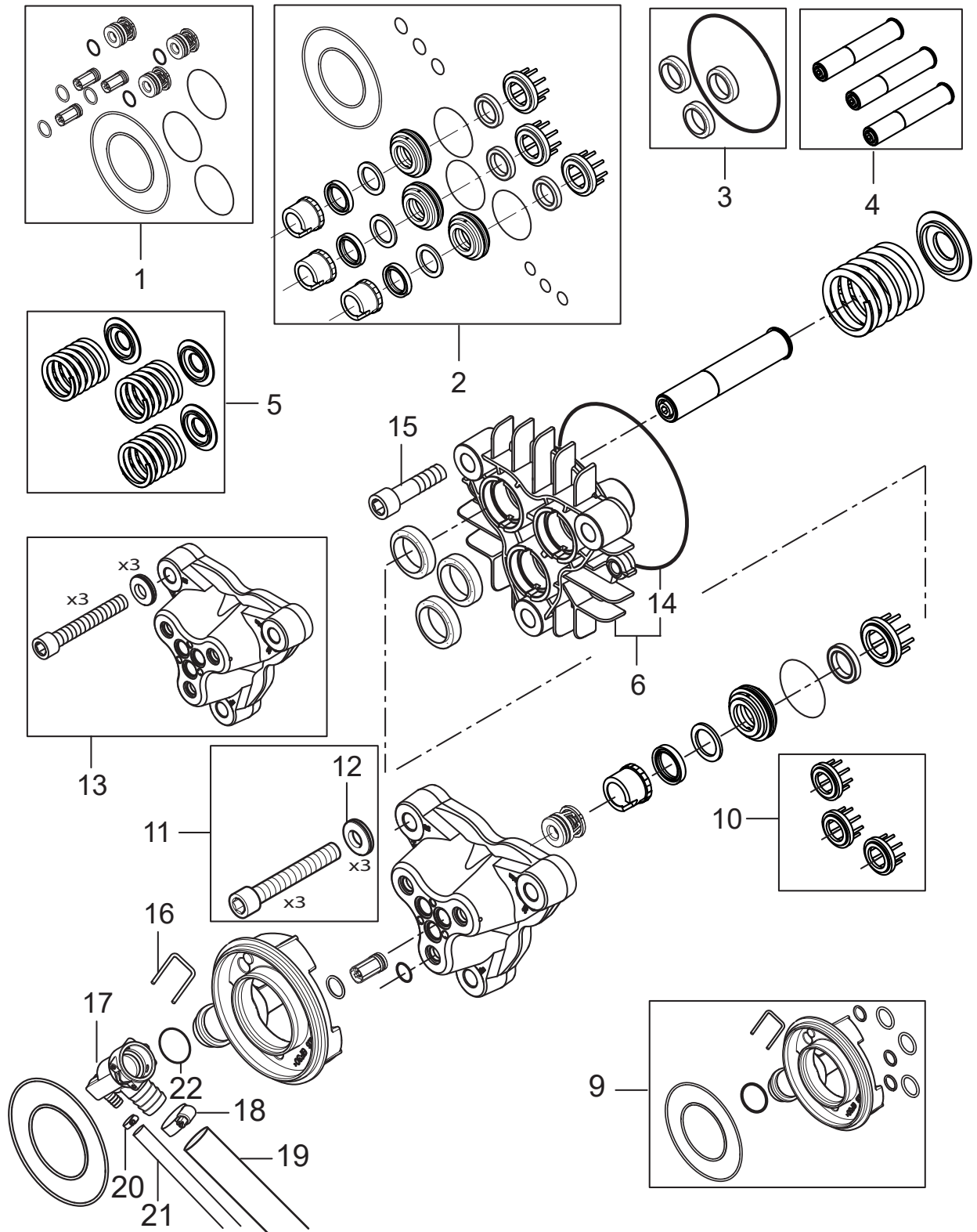
- [1] - NA5 PA
- [2] - FA
- [3] - MI 107309166 JST Connector
- [4] - MH 5M-210/1100 FA 400/3/50 Gerni, MH 5M-210/1100 FAX 400-230/3/50 NO, MH 6P-175/1250 FAX 400/3/50 EUMH 6P-200/1300 FAX 400/3/50 EU, MH 7P-180/1260 FA 400/3/50 EU
- [5] - MH 5M-210/1100 FA 440-220/3/60 EXPT, MH 6P-210/1100 FA 200/3/50-60 JP, MH 6P-195/1350 FA 440-220/3/60 EXPT, MH 7P-180/1260 FA 200/3/50-60 JP



| Pos. | Artikel-Nr. | Menge | Variante | Notes |
|------|-------------|-------|--|-------|
| | 31001229 | 1 | OIL ISO 150 ALPHASYN-T 20L | |
| 0 | 5218433 | 1 | Pumpenöl 150 1x1l | [1] |
| 1 | 107144126 | 1 | Lüfterhaube | |
| 1A | 2763 | 4 | Scheibe 5,3x1,0 ISO 7089 zn | |
| 1B | | 4 | Spring washer Ø5 | |
| 1C | 1813781 | 4 | Schraube M5x8 7985 St-zn | |
| 2 | 107144125 | 1 | Lüfterrad | |
| 3 | 31000148 | 1 | Lagerdeckel | |
| 4 | 31000149 | 1 | Lager RF | |
| 5 | 19639 | 1 | Passfeder A 8x7x25 | |
| 6 | G120414 | 1 | Dichtring Ø30XØ47X7 | |
| 7 | 1801133 | 4 | Schraube M10X25 | |
| 8 | 2767 | 4 | Scheibe 10,5x2,0 ISO 7090 zn | |
| 9 | 8952 | 4 | Sechskantmutter M10 ISO 7042 zn | |
| 10 | 107140881 | 4 | SCREW M5X12 DIN 7985 TORX | |
| 11 | 107140875 | 1 | Dichtung | [2] |
| 12 | 31000505 | 1 | Schraube M8x290 | |
| 12 | 31000504 | 1 | Schraube M8x265 | |
| 13 | 107140877 | 1 | Deckel | |
| 13A | 101118173 | 1 | OIL SENSOR W/PLUG KIT | |
| 14 | 107143094 | 1 | OIL CONTAINER BOTTOM | |
| 15 | 107140882 | 1 | O-Ring 15,0 x 3,0 | |
| 16 | 107141967 | 1 | D-BEARING COVER COMPLETE NA5.2 | |
| 17 | 107144142 | 4 | Schraube für Pumpengehäus | |
| 18 | 107141982 | 1 | OIL PLUG W/O-RING AND MAGNET NA5.2 | |
| 19 | 101118248 | 1 | WOBBLE DISC 7.74 DEG. BEARING KIT NA5.2 | [3] |
| 19 | 101118243 | 1 | WOBBLE DISC 10.2 DEG. BEARING KIT NA5.2 | [4] |
| 19 | 101118241 | 1 | WOBBLE DISC 12 DEG. BEARING KIT NA5.2 | [5] |
| 20 | 107141990 | 1 | WOBBLE DISC 7.74 DEG. NA5.2 | [3] |
| 20 | 107141964 | 1 | WOBBLE DISC 10.2 DEG. NA5.2 | [4] |
| 20 | 107141966 | 1 | WOBBLE DISC 12 DEG. NA5.2 | [5] |
| 22 | 101118240 | 1 | BEARING KIT FA PA - NA5.2 | |
| 23 | 107141956 | 1 | MOTOR 2.2 KW/230/1 50HZ | [6] |
| 23 | 107141954 | 1 | MOTOR 5.5 KW 220/230-400/440/3/50/60 EU | [7] |
| 23 | 107141953 | 1 | MOTOR 6.7KW 220-440/230-400/3 50/60HZ-EU | [8] |
| 24 | 4827 | 4 | Scheibe 10,5x2,5 A ISO 7093-1 zn | |
| 25 | 107142593 | 1 | HOLDING WASHER PE | |
| 26 | 107142658 | 1 | NA5.2 WD SCREW AND WASHER | |
| 27 | 107144817 | 1 | BEARING KBC 6206 GB/T818 | |
| | 101118265 | 1 | MPU NA5.2 PA 6.7KW/400V/50HZ/3PH/12DEG | [9] |

Part Notes:

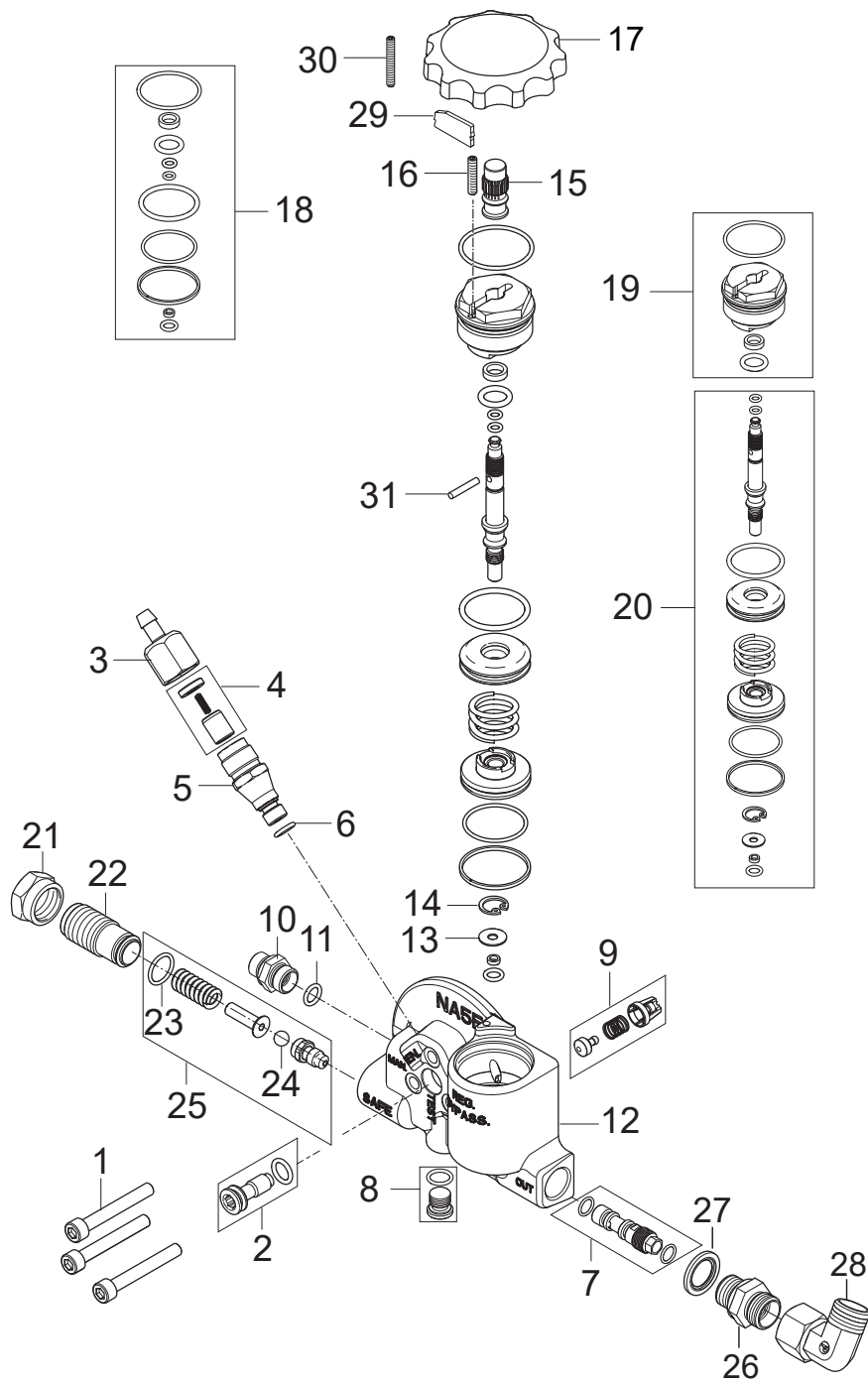
- [1] - 0,71L - OIL TYPES_QUANTITY for HPW_APRIL 2017
- [2] - TSB-PPW-2018-012 NA5_NA6 mpu. Water enters into the stator.
- [3] - Machine no. 107146941 MH 5M-100/760, 107146942 MH 5M-100/760
- [4] - Machine no. 107146947 MH 5M-200/960, 107146948 MH 5M-200/960, 107146956 MH 5M-210/1100 EXP, 107146944 MH 5M-3000/4,8
- [5] - Machine no. 107146950 MH 5M-210/1100, 107146953 MH 5M-210/1100, 107146959 MH 5M-210/1100, 107146949 MH 5M-210/1100, 107146954 MH 5M-210/1100
- [6] - MH5M-100/760 UK
Also order Gasket for motor, 107140875
- [7] - MH5M-200/960 EU
Also order Gasket for motor, 107140875
- [8] - MH5M-210/1100 EU+NO+Gerni+EXP
Also order Gasket for motor, 107140875
- [9] - MH 5M-210/1100 PAX 400/3/50 EU



| Pos. | Artikel-Nr. | Menge | Variante | Notes |
|------|-------------|-------|---------------------------------------|-------|
| 1 | 101118121 | 1 | Satz Ventile | |
| 2 | 101118323 | 1 | Wasserdichtungssatz | [1] |
| 3 | 107144102 | 1 | Dichtungssatz Kolben | |
| 4 | 101118239 | 1 | PISTON KIT - NA5.2 | |
| 5 | 107144104 | 1 | Satz Feder | |
| 6 | 107141983 | 1 | CYLINDER BLOCK W/ O-RING NA5.2 | |
| 9 | 101118147 | 1 | Einlass Kit NA5 | |
| 10 | 107140919 | 1 | SUPPORT RING NA5 SPARE VPE 3 | |
| 11 | 107141968 | 1 | CYL.SCREW M12X80 WITH NORDLOCK WASHER | |
| 12 | 107141969 | 3 | WASHER NLX12SP D12.5XD25.4X4.2MM | |
| 13 | 107141985 | 1 | CYLINDER HEAD NA5.2 W. SCREWS WASHERS | |
| 14 | 107141512 | 1 | O-Ring D114 x D1.78 | |
| 15 | 4042 | 2 | Schraube M8 X 40 8.8 | |
| 16 | 107143085 | 1 | LOCK PIN | |
| 17 | 107143092 | 1 | WATER LIMITER (SMALL) | [2] |
| 17 | 107143000 | 1 | WATER LIMITER (MEDIUM) | [3] |
| 17 | 107143142 | 1 | WATER LIMITER L | [4] |
| 18 | 8298 | 2 | Schlauchschelle SGL 16-27 | |
| 19 | 107143031 | 1 | FUELFLEX HOSE D28/D20 10BAR/20° | |
| 20 | 11654 | 1 | Schlauchklemme 11,5 | |
| 21 | 106408243 | 1 | HOSE 1/4INCH TRANSPARENT - 5 METERS | |
| 22 | 107143088 | 1 | O-RING 18.72X2.62 | |

Part Notes:

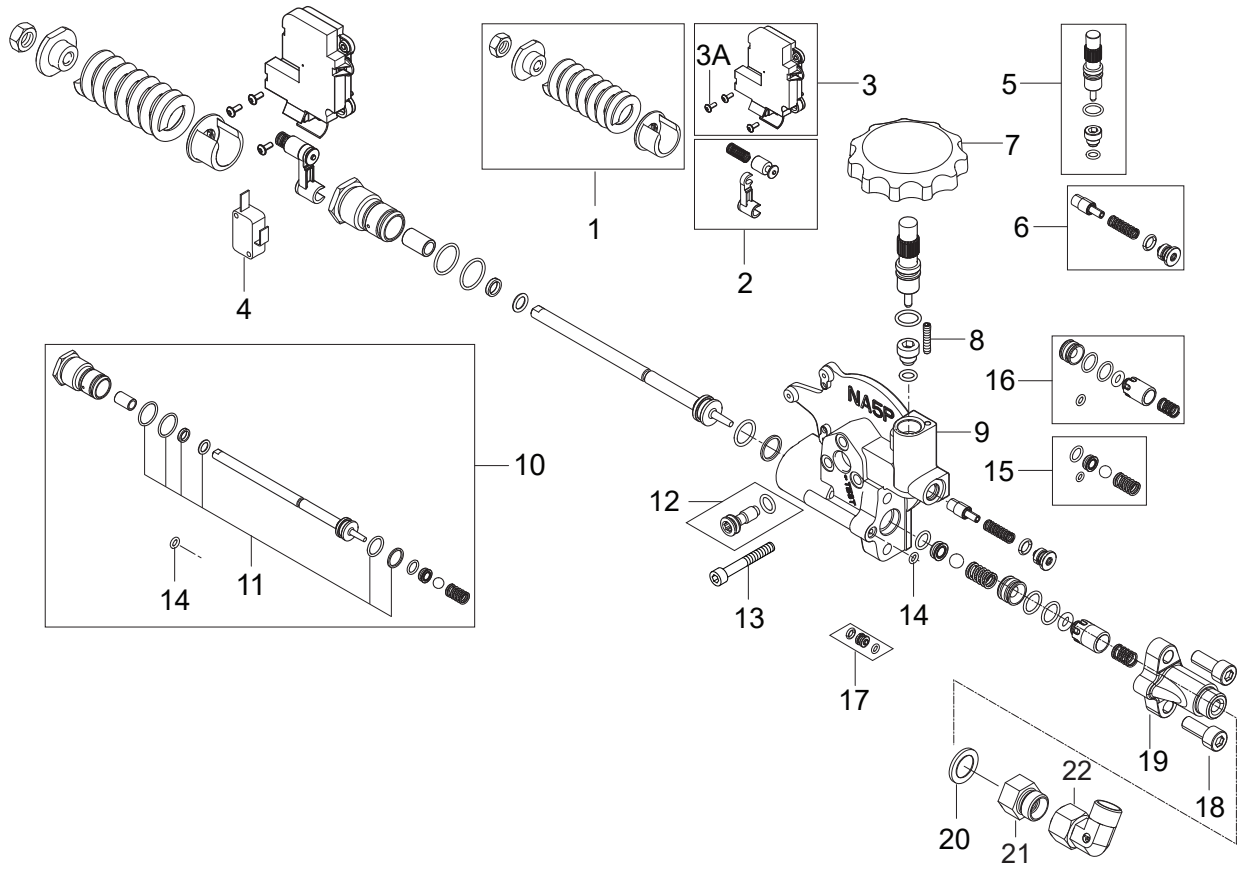
- [1] - TSB-PPW-2020-003 NA5 pump THRUST COLLAR changed
DE TSB-PPW-2020-003 NA5 Pumpe - Änderung der Druckringe
TSB-PPW-2020-003 Nouvelles bagues laiton pour pompe NA5
- [2] - MH5M-100/760 UK
- [3] - MH5M-200/960 EU
- [4] - MH 5M-210/1100



| Pos. | Artikel-Nr. | Menge | Variante | Notes |
|------|-------------|-------|--------------------------------------|-------|
| 1 | 5100 | 3 | Zylinderschraube M6x45 | |
| | 107144142 | 1 | Schraube für Pumpengehäus | [1] |
| 2 | 107144137 | 1 | Stopfen | |
| 3 | 6221529 | 1 | Deckel f. Ventilgehäuse | |
| 4 | 101118183 | 1 | PISTON KIT FOR VENTING VALVE | |
| 5 | 101117890 | 1 | Gehäuse Lufteinlassventil | |
| 6 | 3001740 | 1 | O-RING 7.66X1.78 NITRIL 70SH | |
| 7 | 107144112 | 1 | Injektor | |
| 8 | 101117924 | 1 | Stopfen für MPU 1/8 | |
| 9 | 101118184 | 1 | RETURN VALVE BY-PASS - KIT MH | [2] |
| 10 | 1821 | 1 | Verbindungsstück | |
| 11 | 3001740 | 1 | O-RING 7.66X1.78 NITRIL 70SH | |
| 12 | 107143111 | 1 | NA5 FA BYPASS VALVE MACHINED | |
| 13 | 106408196 | 1 | WASHER D12.95 X D4.6 X 0.9 BRASS | |
| 14 | 106408195 | 1 | Sicherungsring Gr. 13 DIN472 | |
| 15 | 106408189 | 1 | NUT M8 X 1 FOR UNLOADER VALVE FA | |
| 16 | 107146563 | 1 | SCREW POINTED DIN 913 M4X16 FZG | |
| 17 | 107143003 | 1 | Einstellknopf NA5/NA6 | |
| 18 | 101118050 | 1 | SEALING KIT FOR NA6 | |
| 19 | 101118051 | 1 | PLUG FOR UNLOADER VALVE FA - KIT NA6 | |
| 20 | 101118117 | 1 | Steuereinheit - Kit NA5 | |
| 21 | 6100928 | 1 | Mutter | |
| 22 | 6100940 | 1 | Einstellschraube | |
| 23 | 3001070 | 1 | O-Ring 13,1 x 1,6 SMS | |
| 24 | 1802644 | 1 | Kugel 7mm. | |
| 25 | 101118118 | 1 | OPENING VALVE REP. KIT | |
| 26 | 1601079 | 1 | Verbindungsstück | |
| 27 | 1801075 | 1 | Dichtring | |
| 28 | 101118094 | 1 | Kupplungssatz 90D ISO | |
| 29 | 107143005 | 1 | PLATE FOR REG. KNOB | |
| 30 | 107146562 | 1 | SCREW M4X30 POINTED DIN 413 | |
| 31 | 107146561 | 1 | PIN DIA 3 X 18MM STAINLESS STEEL | |

Part Notes:

- [1] - 3x Screw HX M6 x 45 ISO 4762
 2x CYLINDRICAL SCREW M6 X 18
 2x Screw M8x40ISO47628.8zn
 4x SCREW M8X35 ISO 4017
- [2] - Spring included: OD8,45 x L16,5 x d0,7



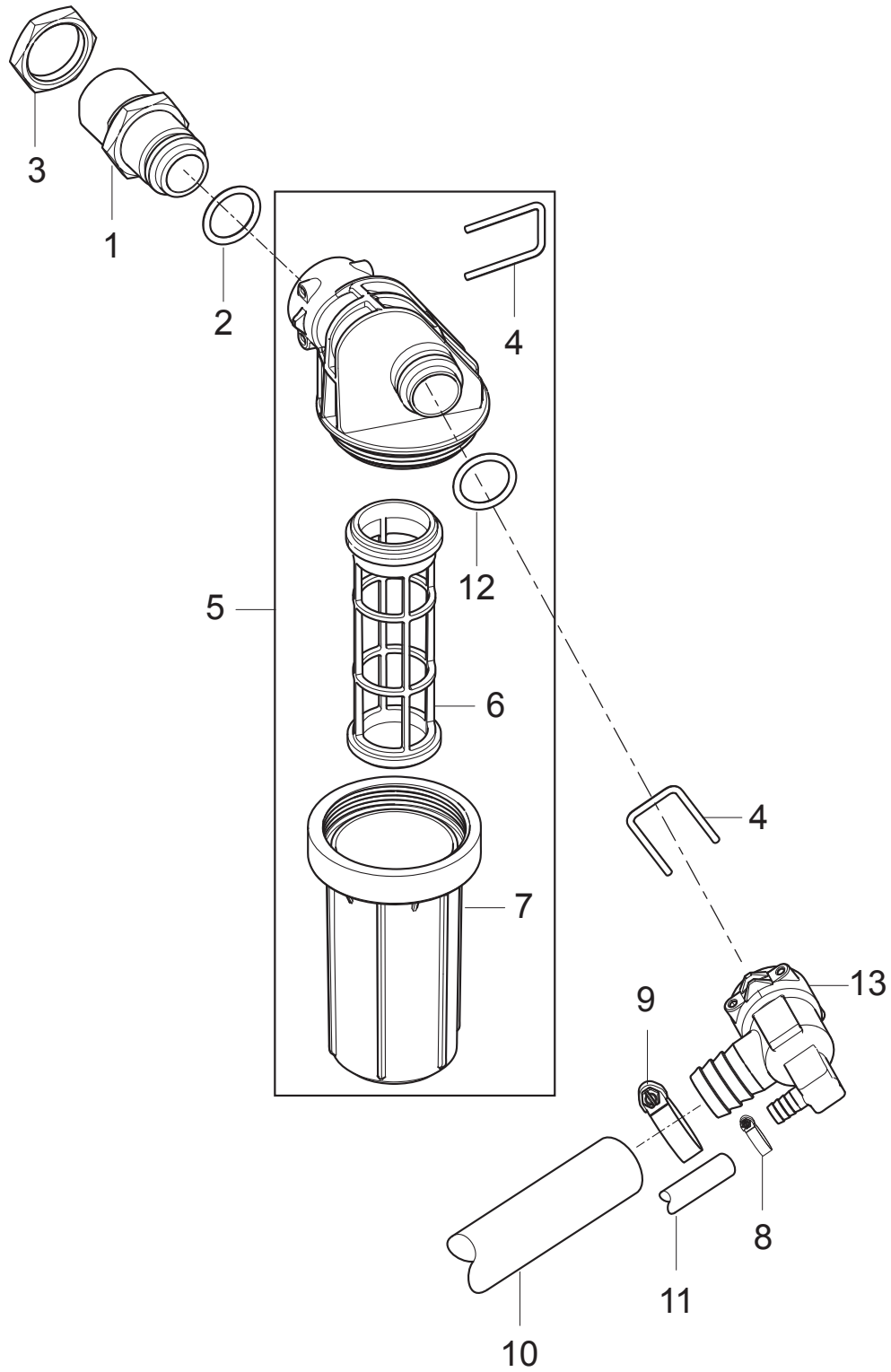
| Pos. | Artikel-Nr. | Menge | Variante | Notes |
|------|-------------|-------|--|-------|
| 1 | 101118091 | 1 | Feder | |
| 2 | 101118090 | 1 | MICROSW. ACTIVATION REP. KIT NA5 PA | |
| 3 | 101118084 | 1 | Schaltergehäuse | |
| 3A | 107141515 | 3 | SCREW M3X8 ISO7380 FZG TORX 10 | |
| 4 | 101118188 | 1 | MICRO-SWITCH KIT | |
| 5 | 101118313 | 1 | FLOW REGULATION VALVE KIT | [1] |
| 6 | 101118315 | 1 | PRESSURE BUILD UP VALVE LOW FLOW KIT | [2] |
| 6 | 101118314 | 1 | PRESSURE BUILD UP VALVE HIGH FLOW KIT | [3] |
| 7 | 107143003 | 1 | Einstellknopf NA5/NA6 | |
| 8 | 106408188 | 1 | DIN 913 M4X20 POINTED SCREW | |
| 9 | 107140884 | 1 | UNLOADER PA NA5 | [1] |
| 10 | 101118294 | 1 | STEM + SEALING REP. KIT NA5/5.2/6/6+ PA | [4] |
| 11 | 101118083 | 1 | Reparatursatz Steuerkolben | |
| 12 | 107144137 | 1 | Stopfen | |
| 13 | 5100 | 3 | Zylinderschraube M6x45 | |
| 13 | 107144142 | 1 | Schraube für Pumpengehäus | [5] |
| 14 | 107141514 | 1 | O-RING D4 X D1.5 NBR 90 | |
| 15 | 101118295 | 1 | BYPASS VALVE REP. KIT NA5.2 PA | [4] |
| 16 | 101118254 | 1 | HOLDING PRESS.V.REP. KIT NA5.2PA - UK AU | [4] |
| 17 | 101118316 | 1 | DAMPER SEAT WITH O-RING KIT | [1] |
| 18 | 8894 | 2 | Schraube M8 x 20 8.8 | |
| 19 | 107143110 | 1 | NA5 PA OUTLET MACHINED | |
| 20 | 107143107 | 1 | PACKING RING D23.8XD17.28X2 | |
| 21 | 107143090 | 1 | ADAPTOR IN 3/8 OUT M18X1.5 | |
| 22 | 101118094 | 1 | Kupplungssatz 90D ISO | |

Part Notes:

- [1] - TSB-PPW-2020-001 MH 4_MH 5M Damper Valve removed
DE TSB-PPW-2020-001 MH 4 MH 5M Dämpferkolben entfernt
TSB-PPW-2020-001 MH 4M5M_MC 5M machine en version PA. Supression de l'anti bélier
- [2] - MH 5M-100/760

TSB-PPW-2020-001 MH 4_MH 5M Damper Valve removed
DE TSB-PPW-2020-001 MH 4 MH 5M Dämpferkolben entfernt
TSB-PPW-2020-001 MH 4M5M_MC 5M machine en version PA. Supression de l'anti bélier
- [3] - MH 5M-210/1100

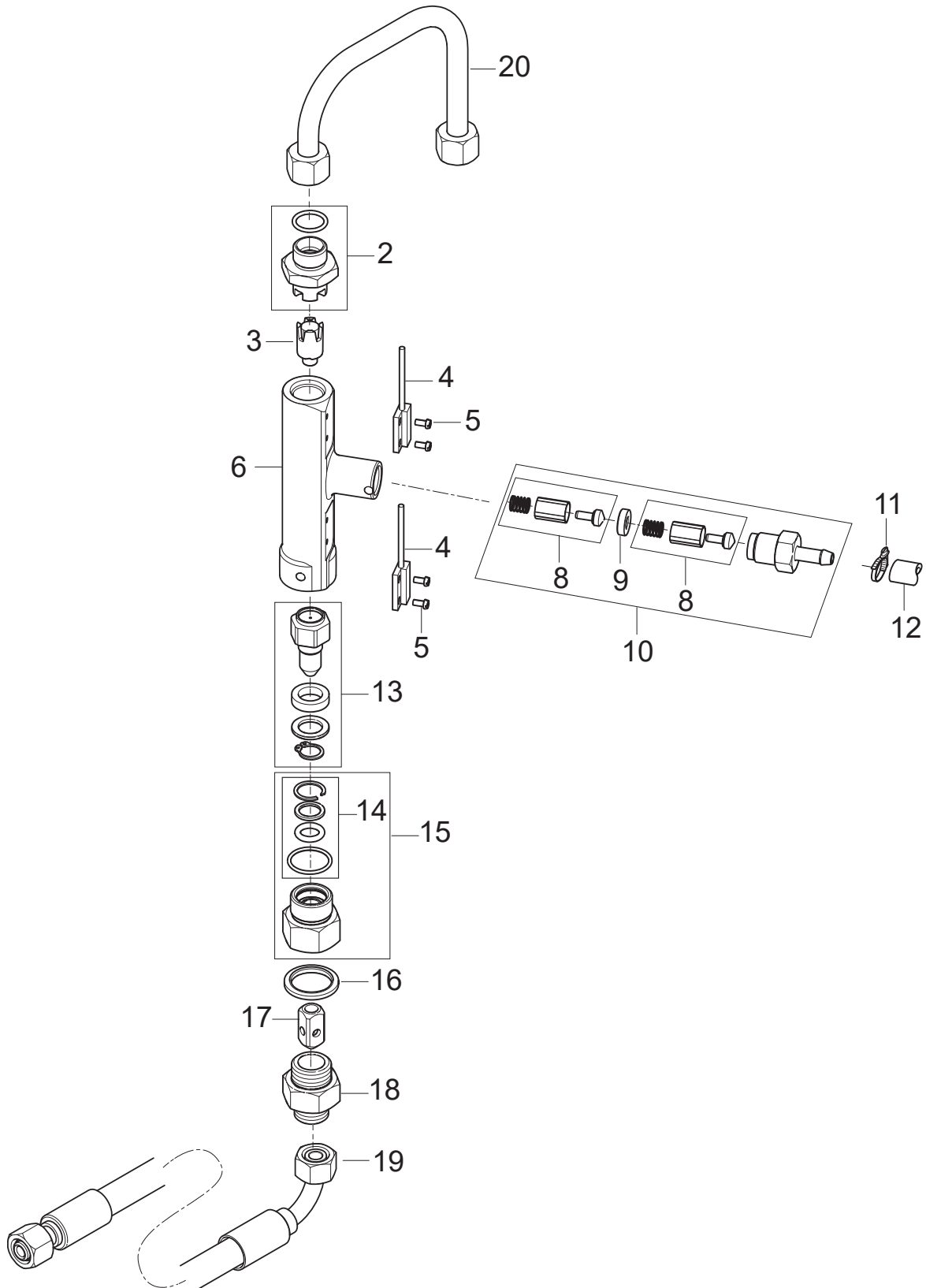
TSB-PPW-2020-001 MH 4_MH 5M Damper Valve removed
DE TSB-PPW-2020-001 MH 4 MH 5M Dämpferkolben entfernt
TSB-PPW-2020-001 MH 4M5M_MC 5M machine en version PA. Supression de l'anti bélier
- [4] - TSB-PPW-2017-005 Low pressure—Unloader valve for NA5.2 pump can leak internally
- [5] - 3x Screw HX M6 x 45 ISO 4762
2x CYLINDRICAL SCREW M6 X 18
2x Screw M8x40ISO47628.8zn
4x SCREW M8X35 ISO 4017



| Pos. | Artikel-Nr. | Menge | Variante | Notes |
|------|-------------|-------|--------------------------------------|-------|
| 1 | 107143086 | 1 | FITTING FOR WATER INLET | |
| 2 | 107143088 | 2 | O-RING 18.72X2.62 | |
| 3 | 1800341 | 1 | Gegenmutter 3/4 | |
| 4 | 107143085 | 2 | LOCK PIN | |
| 5 | 107144272 | 1 | FILTER CPL. MH 5000MM2 50µ ACCESSORY | |
| 6 | 31001100 | 1 | FILTER CARTRIDGE WITHOUT FLANGE | [1] |
| 7 | 31001011 | 1 | Glas für Wasserfilter | [1] |
| 8 | 11654 | 1 | Schlauchklemme 11,5 | |
| 9 | 8298 | 1 | Schlauchschele SGL 16-27 | |
| 10 | 107143031 | 1 | FUELFLEX HOSE D28/D20 10BAR/20° | |
| 11 | 101406100 | 1 | Schlauch 6x3 mm x 5 m | |
| 12 | 107143088 | 1 | O-RING 18.72X2.62 | |
| 13 | 107143087 | 1 | WATER INLET FITTING FOR FA | |

Part Notes:

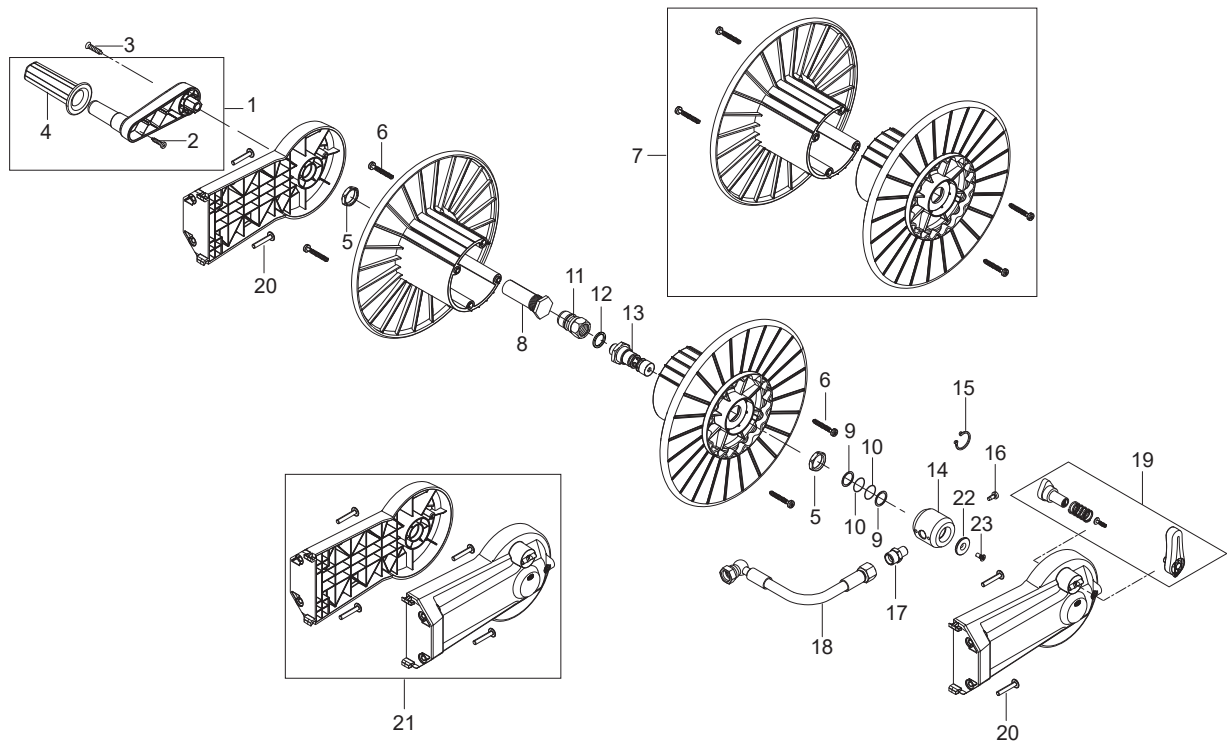
- [1] - TSB-PPW-2020-006 Water inlet filter cartridge and filter glass improved
 DE TSB-PPW-2020-006 Wasserzulauffilter Glas und Filtereinsatz verbessert
 TSB-PPW-2020-06 Cartouche de filtre d'entrée d'eau et bocal de filtre amélioré



| Pos. | Artikel-Nr. | Menge | Variante | Notes |
|-------|-------------|-------|--|-------|
| 2 | 101118190 | 1 | MALE STUD M18X1.5 KIT | |
| 3 | 101118055 | 1 | MAGNET AND HOUSE FOR FLOW SWITCH-KIT NA6 | |
| 4 | 107143121 | 2 | REED SWITCH NO W/CABLE | |
| 5 | 101118033 | 4 | SCREW M3X6 BRASS | |
| 6 | 101118308 | 1 | Durchflussregelung | |
| 8 | 1119566 | 2 | Reparatursatz fuer Ruecks | |
| 9 | 6201535 | 1 | Sitz | |
| 10 | 1119318 | 1 | Rep.satz Rueckschlagventi | |
| 11 | 11654 | 2 | Schlauchklemme 11,5 | |
| 12 | 101406100 | 0.92 | Schlauch 6x3 mm x 5 m | |
| 13 | 101117896 | 1 | Rueckschlagventil mit | [1] |
| 14 | 101118191 | 1 | SEALING KIT FOR MALE STUD | |
| 15 | 101118230 | 1 | Dichtsatz zu Rueckschlagventil 1/2"-M22X | |
| 16 | 1807932 | 1 | Dichtring | |
| 17 | 6101038 | 1 | Kolben | |
| 18 | 107143155 | 1 | Nippel 1/2" AG - M18X1.5 | |
| 19 | 107143171 | 1 | HP HOSE DN10 505 DKL-DKL 90D | [2] |
| 20 | 107143188 | 1 | PIPE FLOW CONTROL NA6/B5 | [3] |
| 19+20 | 101118322 | 1 | HP HOSE AND CONNECTION PIPE NA6/B5 KIT | |

Part Notes:

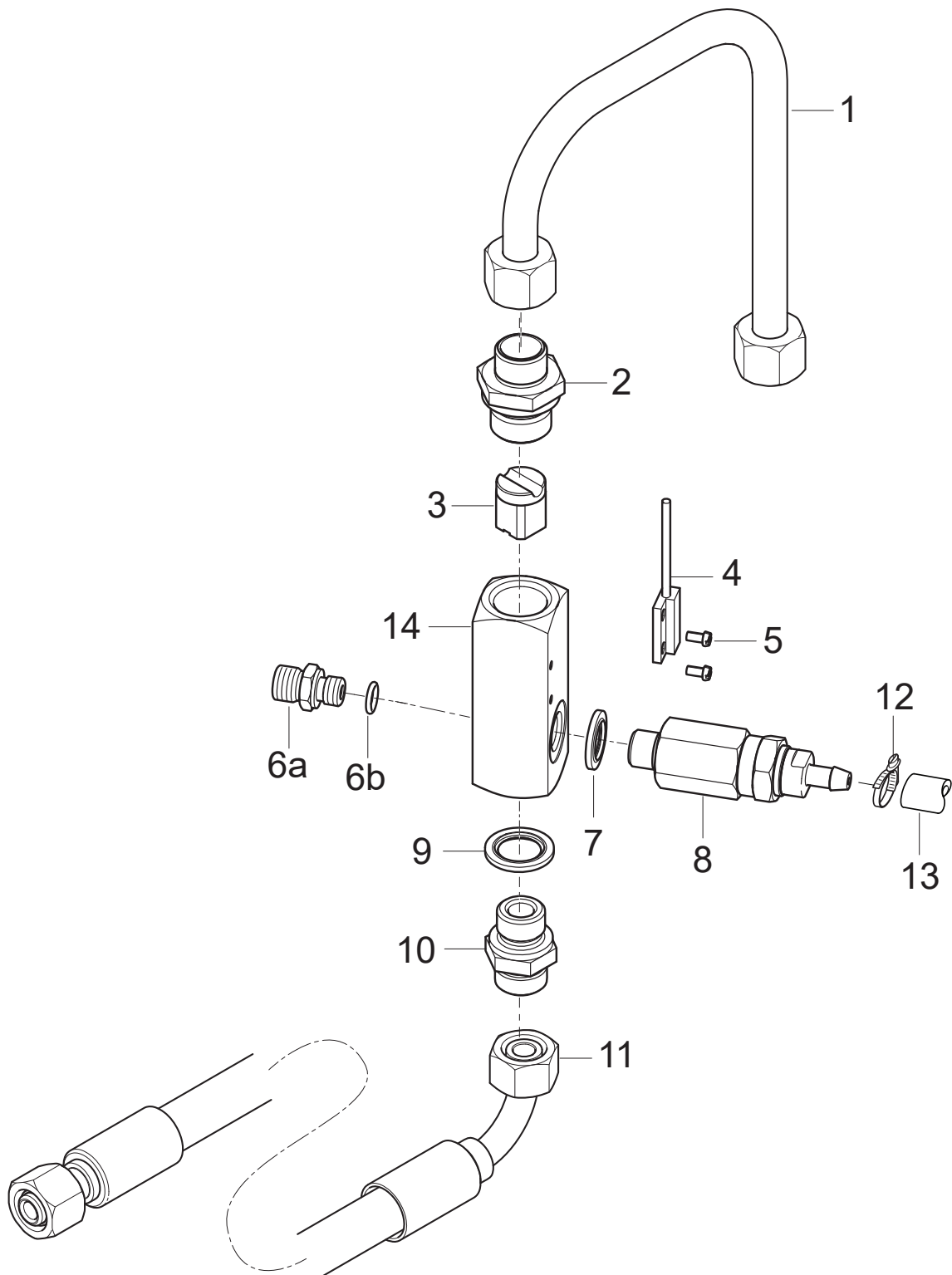
- [1] - TSB-PPW-2016-012 MH 4M FA None return valve 101117896 get stocked
 DE TSB-PPW-2016-012 MH 4M FA Strömungskolben 101117896 blockiert
- [2] - MH5, MH 6P-175/1250, MH 6P-210/1100
- [3] - MH5, MH 6P



| Pos. | Artikel-Nr. | Menge | Variante | Notes |
|------|-------------|-------|--|-------|
| 0 | 106403184 | 1 | Schlauchtrommel CAP 20M DN8 | |
| 1 | 101118215 | 1 | HANDLE FOR HOSE REEL NILFISK | |
| 2 | 107141838 | 2 | SCHRAUBE K50X18 WN1451 SCHWARZ TORX 20 | |
| 3 | 107141673 | 1 | Schraube M6x45 | |
| 4 | 107143007 | 1 | ROTATING HANDLE FOR HOSE REEL NILFISK | |
| 5 | 62696 | 2 | Sechskantmutter M24x1,5x | |
| 6 | 909100153 | 4 | Schraube 6x40 | |
| 7 | 101118209 | 1 | HOSE REEL SIDE KIT | |
| 8 | 107141675 | 1 | Achse | |
| 9 | 107143017 | 2 | BACK-UP RING | |
| 10 | 19620 | 2 | O-Ring 15,54x2,62 | |
| 11 | 1600493 | 1 | Anschlussstück | |
| 12 | 1801075 | 1 | Dichtring | |
| 13 | 107143123 | 1 | SWIVEL FOR HOSE REEL | |
| 14 | 101118317 | 1 | BEARING BUSH KIT | [1] |
| 15 | 1802057 | 1 | Seegerring U 20 x1,2 | [2] |
| 16 | 107141690 | 1 | Linsenschraube DIN7985-M5x12-8.8 | |
| 17 | 54590 | 2 | Anschlussstück | |
| 18 | 107143114 | 1 | CONNECTION HOSE DN8 FOR HOSE REEL | |
| 19 | 101118212 | 1 | 020KE HANDLE FOR HOSE REEL NILFISK KIT | |
| 20 | 107143010 | 4 | SCREW M6X35 | |
| 21 | 101118208 | 1 | HOSE REEL ADAPTOR KIT | |
| 22 | 107143125 | 1 | WASHER 25 FOR COUNTERSUNK M5 | [3] |
| 23 | 107143124 | 1 | COUNTERSUNK M5X12 ISO 14581 | [3] |
| | | 1 | Mounting instr. for Hose Reel Nilfisk | [4] |

Part Notes:

- [1] - TSB-PPW-2019-005 MH Hose Reel Screw 107143124 can break
DE TSB-PPW-2019-005 MH Schlauchtrommel Schraube 107143124 kann brechen
TSB-PPW-2019-005 vis cassée à l'enrouleur des MH
- [2] - Up to 07.2016
- [3] - TSB-PPW-2016-018 MH 4M Hose Reel Circlip
- [4] - Mounting instructions MH Nilfisk hose reel



mai

| Pos. | Artikel-Nr. | Menge | Variante | Notes |
|------|-------------|-------|---------------------------------------|-------|
| 1 | 107143187 | 1 | PIPE FLOW CONTROL NA5 PA/B5 | |
| 1+11 | 101118321 | 1 | HP HOSE AND CONNECTION PIPE NA5 PA/B5 | |
| 2 | 107143122 | 1 | THREADED CONNECTION D12X1/2 INCH | |
| 3 | 101117798 | 1 | Magnetgehäuse komplett | |
| 4 | 107143121 | 1 | REED SWITCH NO W/CABLE | |
| 5 | 101118033 | 2 | SCREW M3X6 BRASS | |
| 6a | 1821 | 1 | Verbindungsstück | |
| 6b | 3001740 | 1 | O-RING 7.66X1.78 NITRIL 70SH | |
| 7 | 1803493 | 1 | Dichtungsscheibe | |
| 8 | 101118290 | 1 | OPENING PRESSURE VALVE 146 BAR KIT | [1] |
| 8 | 101118292 | 1 | OPENING PRESSURE VALVE 250 BAR KIT | [2] |
| 9 | 1801075 | 1 | Dichtring | |
| 10 | 1601079 | 1 | Verbindungsstück | |
| 11 | 107143171 | 1 | HP HOSE DN10 505 DKL-DKL 90D | |
| 12 | 11654 | 2 | Schlauchklemme 11,5 | |
| 13 | 101406100 | 1 | Schlauch 6x3 mm x 5 m | |
| 14 | 101118306 | 1 | FLOW CONTROL HOUSING PA | |

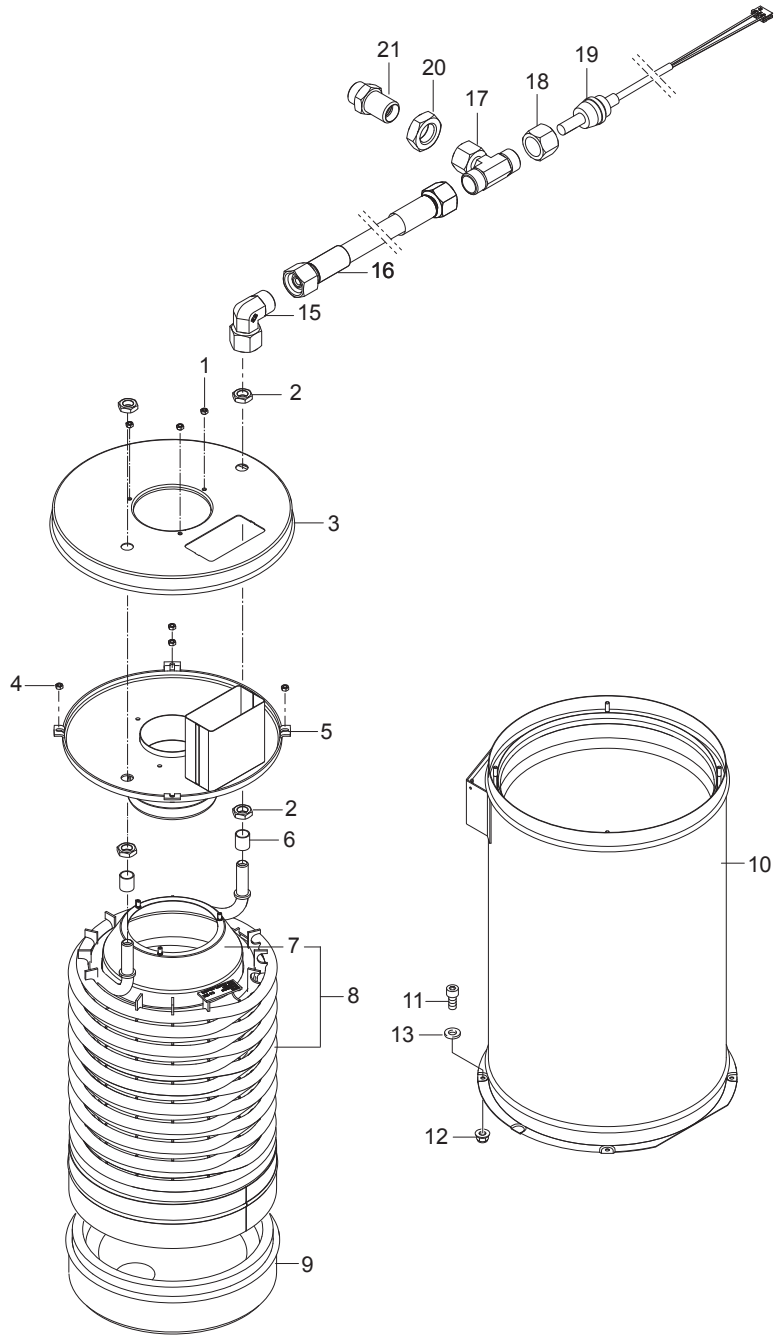
Part Notes:

- [1] - MH 5M-100/760 PA
 [2] - MH 5M-210/1100 PA

| Pos. | Artikel-Nr. | Menge | Variante | Notes |
|------|-------------|-------|-------------------------------------|-------|
| 1 | 301000495 | 1 | Lüftergehäuse | |
| 2 | 301000852 | 1 | Abdeckung | |
| 3 | 32535 | 3 | Zylinderschraube M5x16 | |
| 4 | 301000889 | 1 | Lüfterrad | |
| 4 | 301002126 | 1 | Lüfterrad | [1] |
| 5 | 107143179 | 1 | MOTOR BURNER 350W/110-120V/50/60HZ | [2] |
| 5 | 107143096 | 1 | MOTOR BURNER - 0.23KW/230V/50HZ/1PH | |
| 5 | 107143097 | 1 | MOTOR BURNER 390W/200-240V/50/60HZ | [1] |
| 6 | 4697 | 2 | Zylinderschraube M6x16 | |
| 7 | 101117707 | 1 | Verbindungskupplung | |
| 8 | 3821089 | 1 | Spule m. Mutter und Scheibe | |
| 9 | 107143095 | 1 | CABLE FOR SOLENOID VALVE 2X0.5 | |
| 10 | 101117706 | 1 | Winkelverschraubung | |
| 11 | 101117777 | 1 | Schlauchverbindung zur Öl | |
| 12 | 106408244 | 1 | HOSE D6X2.5 - 5 METERS | |
| 13 | 301001133 | 2 | Schlauchklemme 10/7 | |
| 14 | 301002926 | 1 | Filter 101X36.5X6 KU | |
| 17 | 31001081 | 1 | FILTER FOR OIL PUMP | |
| 18 | 101117673 | 1 | Ölpumpe komplett | |

Part Notes:

- [1] - JP, EXPT
 [2] - MH 3C



| Pos. | Artikel-Nr. | Menge | Variante | Notes |
|------|-------------|-------|--------------------------------------|-------|
| 1 | 3136 | 3 | Sechskantmutter M6 ISO 4032 zn | |
| 2 | 7012 | 4 | Mutter 6kt M18x1,5 | |
| 3 | 31001162 | 1 | OUTER BOILER TOP B5 - B7 | |
| 4 | 12263 | 4 | Sechskantmutter M6 | |
| 5 | 31001163 | 1 | INSIDE BOILER TOP CPL B5 | |
| 6 | 301000582 | 2 | Hülse | |
| 7 | 301000541 | 1 | Abgasführungshaube | |
| 8 | 31001164 | 1 | COIL WELDED B5 | |
| 8 | 107143301 | 1 | HEIZSCHLANGE B5 EDELSTAHL | [1] |
| 9 | 301000916 | 1 | Isolierung | [2] |
| 10 | 31001165 | 1 | BOILER JACKET B5 | |
| 11 | 4697 | 2 | Zylinderschraube M6x16 | |
| 12 | 11619 | 2 | Sechskantmutter M6 ISO7042 A2K | |
| 13 | 107143146 | 2 | WASHER SERRATED M6 | |
| 15 | 101118094 | 1 | Kupplungssatz 90D ISO | |
| 16 | 107143147 | 1 | HP HOSE DN10 560 DKL-DKL | |
| 17 | 101118093 | 1 | Verbindungsstück | |
| 18 | 1081 | 1 | Überwurfmutter DIN 3870-A L 12 St/zn | |
| 19 | 107143083 | 1 | TEMPERATUR SENSOR PT100 W/CABLE | |
| 20 | 1803220 | 1 | Mutter M18x1,5 I | |
| 21 | 107143082 | 1 | OUTLET FITTING | |

Part Notes:

- [1] - TSB-PPW-2017-011 Stainless Steel heat exchangers new stay material and new spare part numbers
 [2] - TSB-HPW-2021-002 Chamotte stones in insulation removed

