

# PARTS LIST

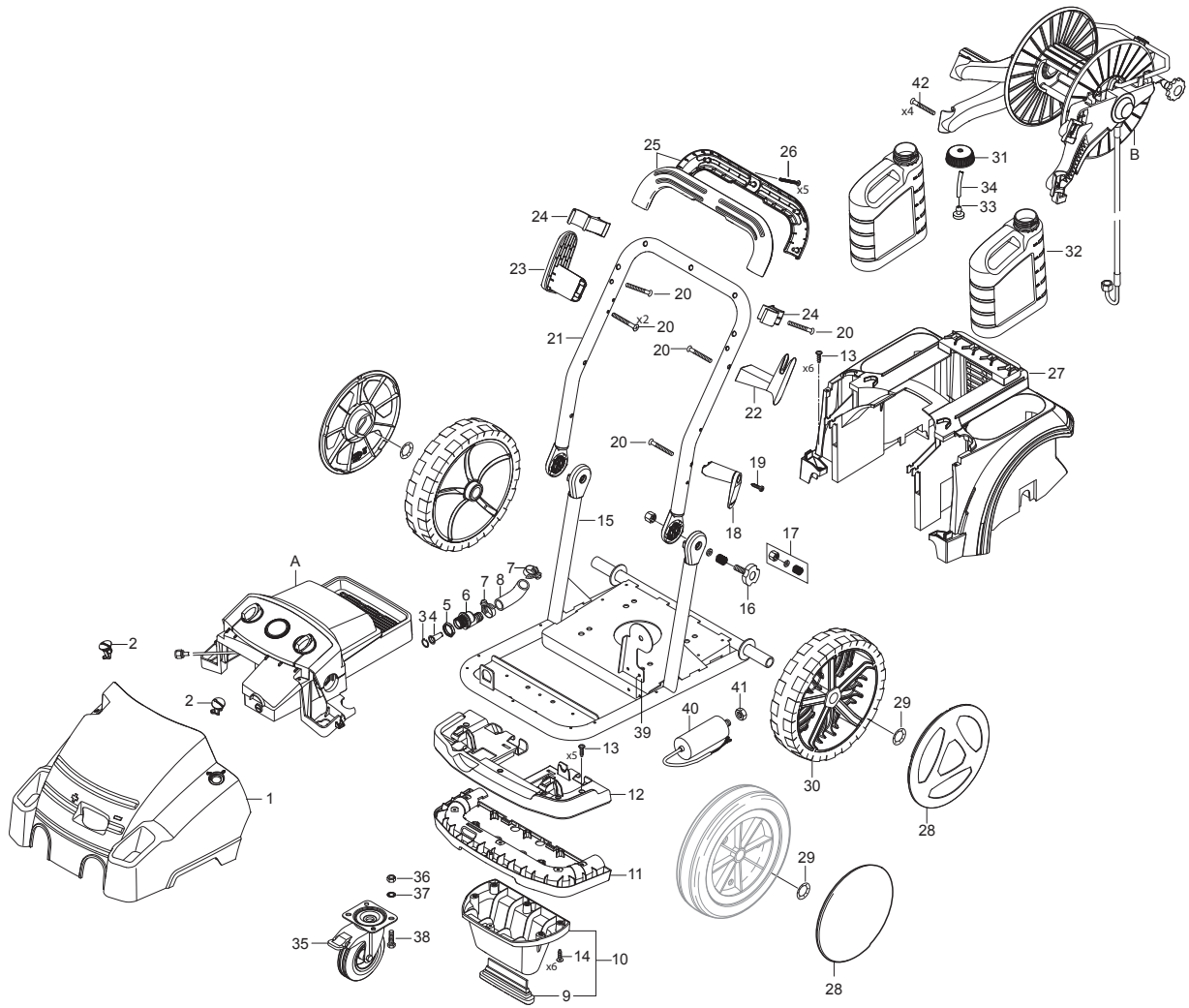


2022.11.30

# TABLE OF CONTENTS

---

Overview .....	1
Hose reel .....	4
Electric box .....	6
Motor pump .....	9
Cylinder block .....	13
Unloader PA .....	15
Unloader PA without water regulation .....	17
Recommended spare parts .....	19
101118324 - NA5.2 Pump kit .....	22
Default accessories .....	24

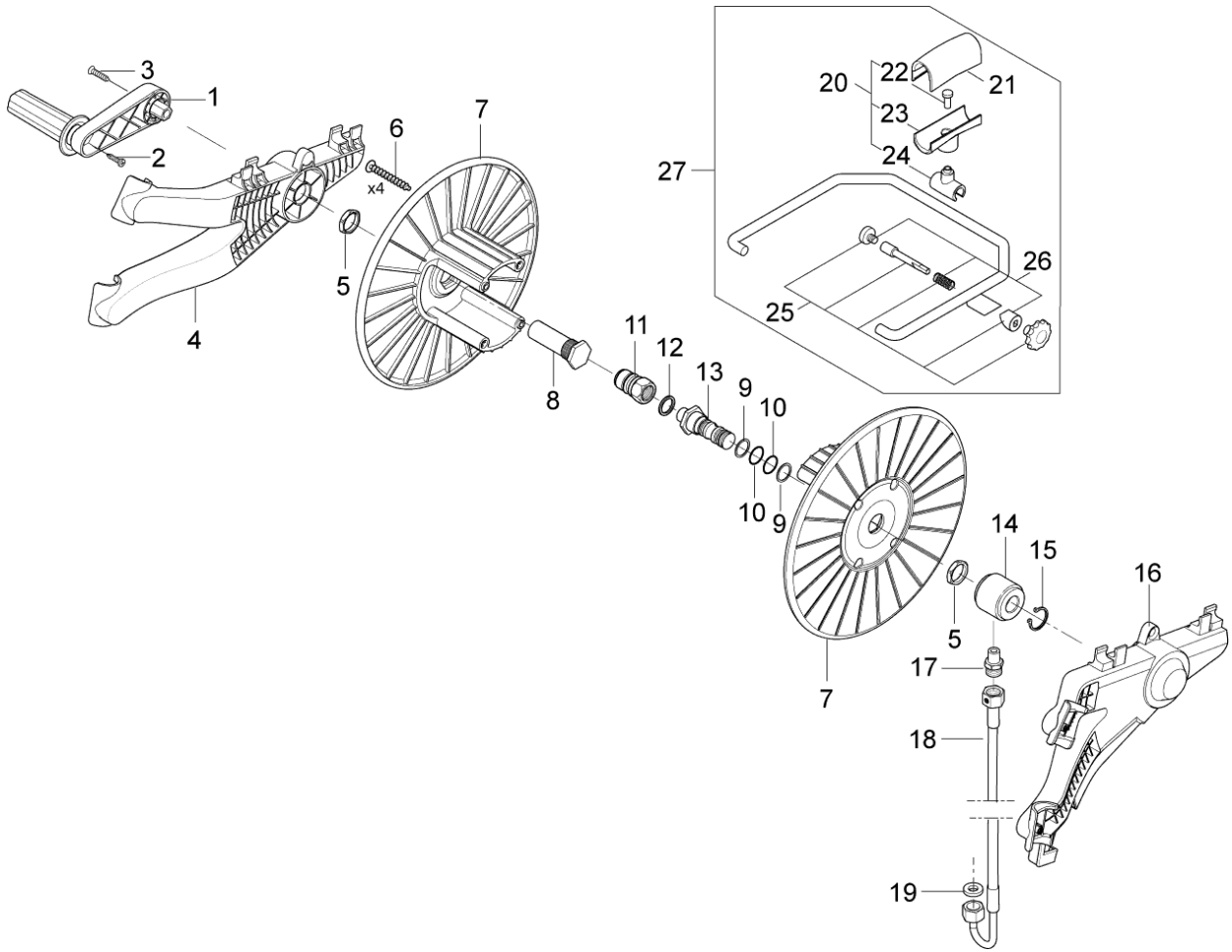


Pos.	Artikel-Nr.	Menge	Variante	Notes
A		1	El-box complete	[1]
B		1	Hose reel complete	[2]
1	107141600	1	Gehäuse Front NA POS 5 - mit Regulierung	
1	107141601	1	Gehäuse Front NA POS 5 -ohne Regulierung	
1	107140958	1	Gehäuse Front NA POS 5 - UNITOR	
2	301001261	2	Verriegelung	
3	107141667	1	Sicherungsring	
4	101117926	1	Sieb	
5	1800341	1	Gegenmutter 3/4	
6	107141668	1	Wassereinlass	
7	23221	2	Schlauchschelle SGL 20-32	
8	107141670	1	Schlauch	[3]
8	107141697	1	RUBBER ELBOW NA5/NA6 FA	[4]
9	107141615	1	Stützfuß	
10	101118100	1	Stütze	
11	107141617	1	Halteplatte	
12	107141618	1	Halteplatte	
13	107141690	5	Linsenschraube DIN7985-M5x12-8.8	
14	107141838	6	SCHRAUBE K50X18 WN1451 SCHWARZ TORX 20	
15	107141620	1	Tragrahmen	
15	107141622	1	FRAME STAINLESS STEEL	
16	107141672	2	Sterngriff	
17	101118104	2	Satz Befestigungsteile	
18	107141625	1	KABELHALTER BEWEGLICH SCHWARZ	
19	107141838	1	SCHRAUBE K50X18 WN1451 SCHWARZ TORX 20	
20	107141627	10	SCREW K50X40 T20	
21	107141623	1	Griffrohr	
22	107141632	1	KABELHALTERUNG	
23	107141629	1	Schlauchhalterung	
24	107141630	1	Lanzenhalterung NA	
25	101118101	1	Griffschale	
26	909100148	5	Ejotschraube K40x30 WN 14	
27	107141634	1	Hinterteil	
28	107145780	2	RADKAPPE FUER RAD Ø300X65	[5]
28	107145782	2	WHEEL CAP FOR WHEEL Ø300X65 - UNITOR	[5]
28	301001077	2	Radkappe 234	[6]
28	107140961	2	Radkappe D300	[5]
29	46363	2	Klemmscheibe	
29	107145570	2	KLEMMRING D25XD42X3	
30	6184074	2	Rad	[5]
30	107145637	2	RAD D300X65 (STARCO)	[5]
31	107141664	2	Deckel	
32	107141635	2	Reinigungsmitteltank	
33	6400240	1	Saugkorb	
34	106408243	1	HOSE 1/4INCH TRANSPARENT - 5 METERS	
35	107141607	1	WHEEL W. BRAKE D125	
36	1800515	4	Sicherungsmutter M8	
37	1800796	4	Scheibe 8,4	
38	2753	4	Sechskantschraube M8x 20 ISO 4017 zn	
39	107141611	1	PLATE FOR CAPACITOR	
40	107141619	1	CAPACITOR 170MF	[7]
40	107141732	1	CAPACITOR 140 UF	[8]
41	2761	1	Sechskantmutter M12 ISO 4032 zn	[9]
42	107141695	4	Torxschrauben K50x35	
NS	107140982	1	10 PCS OF BOXES FOR PACKAGING	

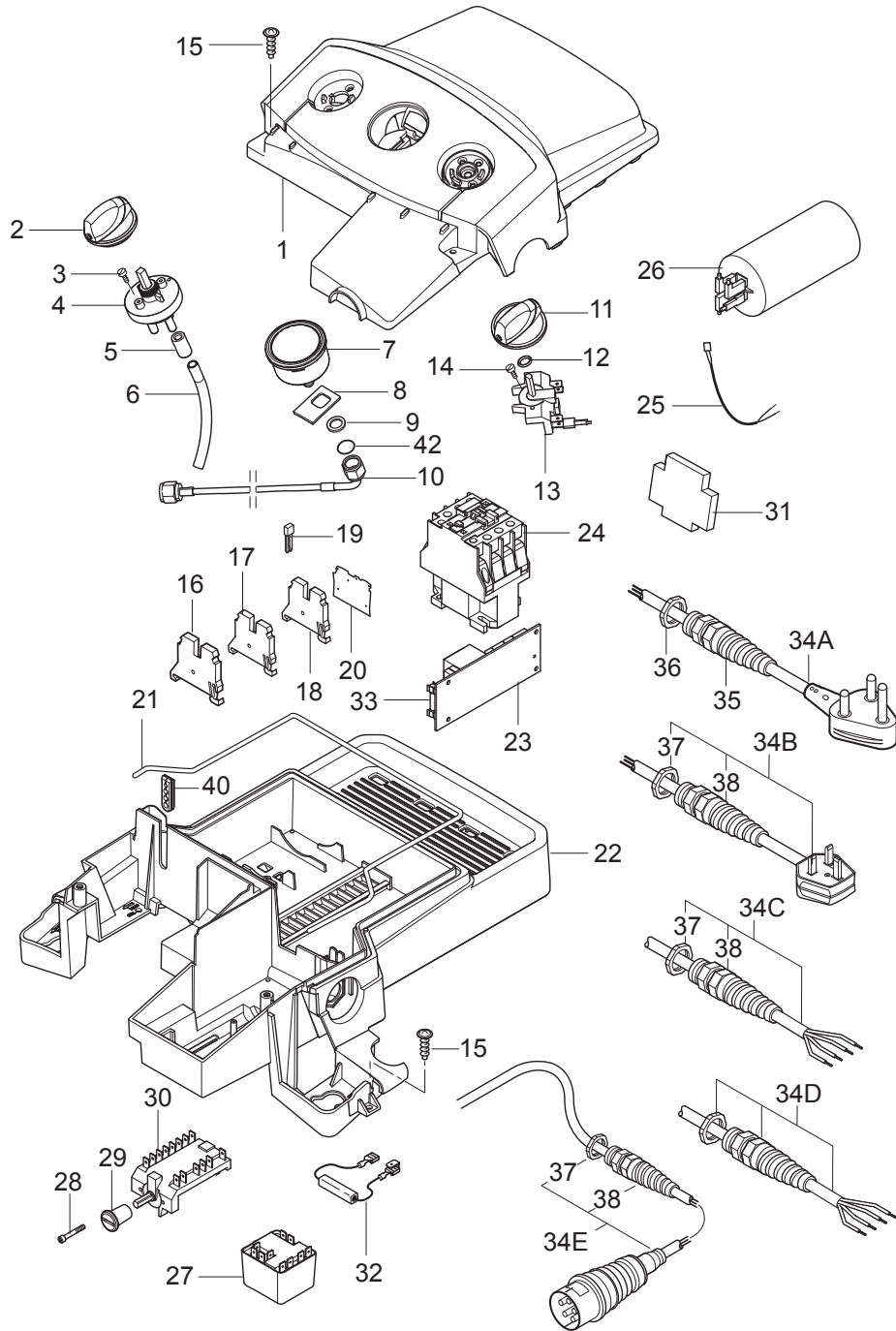
## Part Notes:

- [1] - See link Electric box  
 [2] - See link Hose reel

- [3] - PA
- [4] - FA
- [5] - The new wheel and wheel cap is added from  
Variant Ser. Nr. order nr.machine nr.  
Nilfisk 3520151900645 - 1712947 - 107146806  
Unitor 3520151901159 - 1711044 - 107146807
- [6] - STOCK COVERS GUARANTEE  
  
The new wheel and wheel cap is added from  
Variant Ser. Nr. order nr.machine nr.  
Nilfisk 3520151900645 - 1712947 - 107146806  
Unitor 3520151901159 - 1711044 - 107146807
- [7] - 230-240/1/50 UK, AU
- [8] - US
- [9] - STOCK COVERS GUARANTEE



Pos.	Artikel-Nr.	Menge	Variante	Notes
0	106403143	1	Schlauchrolle Satz	
1	101118102	1	Kurbel	
2	107141838	1	SCHRAUBE K50X18 WN1451 SCHWARZ TORX 20	
3	107141673	1	Schraube M6x45	
4	107141674	1	Halter	
5	62696	1	Sechskantmutter M24x1,5x	
6	909100153	1	Schraube 6x40	
7	301000775	1	Trommel	
8	107141675	1	Achse	
9	63792	2	Stützring 16,26x2,18	
10	19620	2	O-Ring 15,54x2,62	
11	1600493	1	Anschlussstück	
12	1801075	1	Dichtring	
13	107141676	1	Anschlussstück	
14	301000977	1	Lagerbuchse	
15	1802057	1	Seegerring U 20 x1,2	
16	107141677	1	Halter	
17	54590	1	Anschlussstück	
18	107141678	1	Anschlussstück für Schlauchtrommel	
19	65466	1	Dichtring 8,0x15,0x1,0 DI	
20	101118103	1	Schlauchführung	
21	301000674	1	Schlauchführung	
22	10028	1	Ejotschraube KA50x14 WN1411 verz	
23	301000676	1	Schlauchführung	
24	107141679	1	Schlauchführung	
25	101118106	1	Satz Befestigungsteile	
26	101118111	1	Satz Befestigungsteile	
27	101118105	1	Schlauchführung	

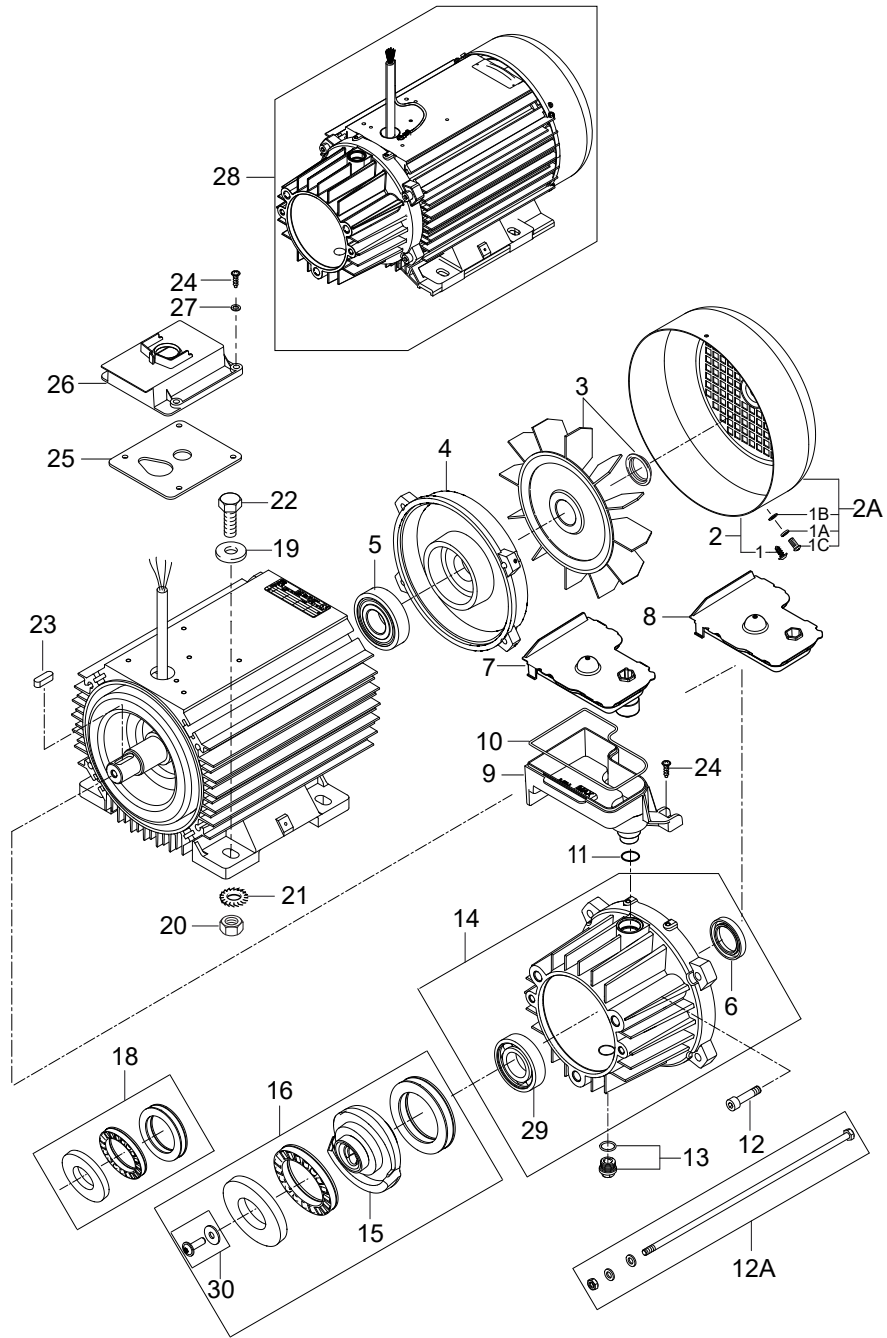




Pos.	Artikel-Nr.	Menge	Variante	Notes
1	107141644	1	E-BOX TOP F. 1-POS SWITCH	[1]
1	107141646	1	Gehäuse Elektronik 1Schalter schwarz	[2]
1	107141645	1	Gehäuse Elektronik 2Schalter schwarz	[3]
2	909100214	1	Schalter GR 1 4 Kt	
3	1814730	2	Schraube 3,5x10	
4	301001000	1	Ventil	
5	301001906	1	Verschlusskappe	
6	106408243	1	HOSE 1/4INCH TRANSPARENT - 5 METERS	
7	107141648	1	MANOMETER 0-300 BAR	
8	107141650	1	Halter	
9	107141651	1	Scheibe DIN125-A13	
10	107141653	1	MANOMETER TUBE FA MODELS	[4]
10	107141652	1	Manometer Röhre	[5]
11	909100204	1	Drehknopf 6x5 blau	
12	9868	1	O-Ring 10x2,5	
13	301001058	1	Schalter	[6]
13	28877	1	Schalter	[7]
14	18274	1	Senkschraube M4x12	
15	107141838	6	SCHRAUBE K50X18 WN1451 SCHWARZ TORX 20	
16	103821922	1	Abschlussplatte	
17	107141633	1	Klemmleiste	[8]
18	107307394	1	WIRE TERMINAL 4Q WAGO 2004-1201	
19	103821969	1	Steckbrücke	
20	103821968	1	Endplatte WAGO 4MM2	
21	101406054	1	Dichtung	
22	107141654	1	E-BOX BOTTOM DRILLED /CABLE/	
22	107141665	1	E BOX UNTERTEIL	
22	107141655	1	UNTERTEIL ELEKTRONIK-BOX	[9]
23	107141666	1	PCB POSEIDON 5-6-7	
24	103822314	1	Schütz 100-C30KF10	[10]
24	103822303	1	Schütz CJX2-D18 18A 400V 3P+NO	[11]
24	63910	1	Schütz 100-C23KF10	[12]
24	103822304	1	Schütz CJX2-D18 18A 230V 3P+NO	[13]
25	107141796	1	PCB WIRE FOR SUCTION MODE	[14]
25	107141656	1	Kabel	
26	101117947	1	Kondensator 100UF/450V	[15]
26	107143182	1	CAPACITOR 70UF 450/500V RP-3	[16]
27	107142761	1	START RELAY RVA4G0C	[13]
27	107140968	1	START RELAY RVAH4AH0C	[17]
27+32	101118305	1	START RELAY RVA4G0C KIT	[18]
27+32	101118143	1	START RELAY KIT F. POSEIDON 5-6-7 1PH US	[17]
28	101117739	2	Flachkopfschraube	
29	64580	1	Drehknopf	[19]
30	301000293	1	Drehschalter Stern-Dreiec	
31	64773	1	Hilfskontakt 100-SBL11	
32	107141730	1	DISCHARGE RESISTOR 15KOHM/7W	[20]
33	301000263	1	Sicherung	
34A	301000407	1	Netzleitung SJOW AWG10/3	[21]
34B	301000912	1	Anschlussleitung GB	[22]
34C	101117811	1	Netzkabel H07RN 4G1,5	[23]
34D	301001384	1	Netzleitung VCT 4X3,5X11	[24]
34D	301000834	1	Anschlussleitung Europa	[25]
35	909100198	1	Schnur Befestigung	[26]
36	909100020	1	Sechskantmutter M25x1,5 EN 50262 PA	[26]
37	909100019	1	Sechskantmutter M20x1,5 EN 50262 PA	[27]
38	909100043	1	Kabelverschraubung	[27]
40	107141663	1	Tülle	
42	31000508	1	O-RING NBR	

## Part Notes:

- [1] - 1 pos. and detergent
- [2] - 1 pos. without detergent
- [3] - 2 pos. and detergent
- [4] - FA
- [5] - PA
- [6] - 1-POS.
- [7] - 2-POS.
- [8] - ECN-1010232
- [9] - Star/triangle
- [10] - (220-240/1/60 US) (200/3/50-60Hz JP)
- [11] - 400/3/50Hz
- [12] - 220/440/3/50/60Hz
- [13] - 230/1/50Hz
- [14] - S1 to X8 – “suction mode wire”
- [15] - 5-52FA
- [16] - 230/1/50 UK  
TSB-PPW-2018-003 MH\_MC change of start relay and run capacitor
- [17] - 220-240/1/60 US
- [18] - 230/1/50 UK, AUS  
  
TSB-PPW-2018-003 MH\_MC change of start relay and run capacitor  
TSB-PPW-2018-003 MH\_MC Changement du relais de démarrage et du condensateur de fonctionnement
- [19] - TSB-PPW-2016-007 Rotary knob for Voltage selector switch 230V-400V must be sealed with lacquer  
DE TSB-PPW-2016-007 Drehknopf des Spannungsauswahlschalters 230V-400V muss mit Lack versiegelt werden
- [20] - 230/1/50 UK, 220-240/1/60 US
- [21] - US  
GUARANTEE DATE EXPIRED
- [22] - 5-32 PA – MC 5M 100/770 PA 230/1/50 UK -M25 - M20
- [23] - NO, EXP.
- [24] - JP
- [25] - EU, 3ph
- [26] - M25
- [27] - M20

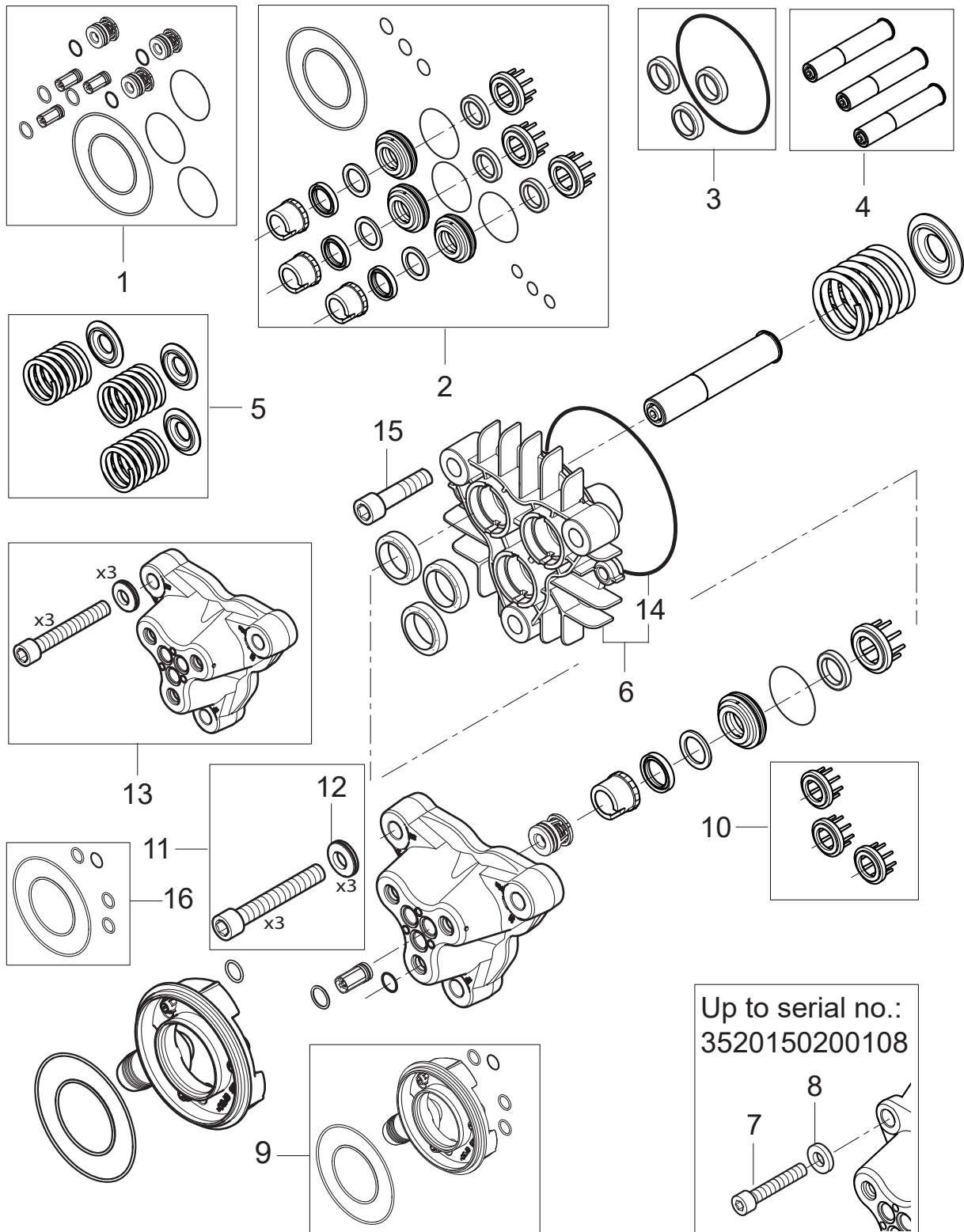


Pos.	Artikel-Nr.	Menge	Variante	Notes
	31001229	1	OIL ISO 150 ALPHASYN-T 20L	
0	5218433	1	Pumpenöl 150 1x1l	[1]
1		1	SCREW 3X9.5 MUSHROOM HEAD EME	[2]
1A		1	Spring washer Ø5	[3]
1B		1	Flat washer Ø5	[4]
1C	31000488	1	Linsenschraube DIN7985-M5x8	[5]
2	107144127	1	Motorabdeckung - EME	[6]
2A	107144126	1	Lüfterhaube	[5]
3	107144124	1	Sicherungsring Luefterrad	[2]
3	107144125	1	Lüfterrad	[5]
4	31000148	1	Lagerdeckel	[5]
4	31000150	1	Lagerabdeckung EME	[2]
5	31000149	1	Lager RF	[5]
5	31000151	1	Hinteres Lager EME	[2]
6	G120414	1	Dichtring Ø30XØ47X7	
7	107140883	1	Sensor Ölbehälter	
8	107140877	1	Deckel	
9	107140879	1	Öltank	
10	101406054	1	Dichtung	
11	3004221	1	O-RING 16X2 NITRIL 70 SHORE	
12	2751	4	Sechskantschraube M8x 35 ISO 4017 zn	[2]
12A	31000505	1	Schraube M8x290	[7]
12A	31000504	1	Schraube M8x265	[8]
13	107141982	1	OIL PLUG W/O-RING AND MAGNET NA5.2	
14	107141967	1	D-BEARING COVER COMPLETE NA5.2	[9]
15	107141990	1	WOBBLE DISC 7.74 DEG. NA5.2	[10]
15	107141961	1	WOBBLE DISC 8.4 DEG. NA5.2	[11]
15	107141962	1	WOBBLE DISC 8.7 DEG. NA5.2	[12]
15	107141963	1	Taumelscheibe NA5.2	[13]
15	107141964	1	WOBBLE DISC 10.2 DEG. NA5.2	[14]
15	107141965	1	WOBBLE DISC 10.9 DEG. NA5.2	[15]
15	107141966	1	WOBBLE DISC 12 DEG. NA5.2	[16]
16	101118248	1	WOBBLE DISC 7.74 DEG. BEARING KIT NA5.2	[17]
16	101118246	1	WOBBLE DISC 8.4 DEG. BEARING KIT NA5.2	[11]
16	101118247	1	WOBBLE DISC 8.7 DEG. BEARING KIT NA5.2	[12]
16	101118245	1	WOBBLE DISC 9.15 DEG. BEARING KIT NA5.2	[13]
16	101118243	1	WOBBLE DISC 10.2 DEG. BEARING KIT NA5.2	[18]
16	101118242	1	WOBBLE DISC 10.9 DEG. BEARING KIT NA5.2	[19]
16	101118241	1	WOBBLE DISC 12 DEG. BEARING KIT NA5.2	[20]
18	101118240	1	BEARING KIT FA PA - NA5.2	
19	2767	7	Scheibe 10,5x2,0 ISO 7090 zn	
20	1800465	4	Mutter M10	
21	10204	4	Fächerscheibe 10,5 -A- DIN 6798 FS/z	
22	8927	4	Zylinderschraube,	
23	19639	1	Passfeder A 8x7x25	
24	107140881	2	SCREW M5X12 DIN 7985 TORX	
25	107140875	1	Dichtung	[21]
26	107140876	1	ABDECKUNG E BOX AUF MOTOR	
27	2767	4	Scheibe 10,5x2,0 ISO 7090 zn	
28	107141953	1	MOTOR 6.7KW 220-440/230-400/3 50/60HZ-EU	[22]
28	107141954	1	MOTOR 5.5 KW 220/230-400/440/3/50/60 EU	[23]
28	107141955	1	MOTOR 5.2 KW/220/1 60HZ 5-52 US	[24]
28	107141956	1	MOTOR 2.2 KW/230/1 50HZ	[25]
28	107141957	1	MOTOR 4KW 200/3/50-60HZ JP 5-47 JP	[26]
28	107141958	1	MOTOR 4KW 230-400/220-440 3/50-60HZ NA5	[27]
29	107144817	1	BEARING KBC 6206 GB/T818	
30	107142658	1	NA5.2 WD SCREW AND WASHER	
	101118263	1	MPU NA5.2 PA 5.5KW/400V/50HZ/3PH/10.9DEG	[28]

Part Notes:

- [1] - 0,71L - OIL TYPES\_QUANTITY for HPW\_APRIL 2017
- [2] - - EME – has EME letter on the motor type plate
- [3] - RF – has Nilfisk letter on the motor type plate  
Ø5 spring washer
- [4] - RF – has Nilfisk letter on the motor type plate  
Ø5 flat washer
- [5] - RF – has Nilfisk letter on the motor type plate
- [6] - GUARANTEE DATE EXPIRED
  
- [7] - - EME – has EME letter on the motor type plate  
RF – has Nilfisk letter on the motor type plateRF incl nut and washer,  
5-62 PA - MC 5M 220/1130 PA  
  
5-62 FA - MC 5M 220/1130 FA
- [8] - RF – has Nilfisk letter on the motor type plateRF incl nut and washer,  
5-32 PA – MC 5M 100/770 PA  
5-41 PA – MC 5M 180/840 PA  
5-47 PA – MC 5M 170/980 PA  
5-53 PA - MC 5M 200/1000 PA  
5-56 PA - MC 5M 200/1050 PA  
5-56 FA - MC 5M 200/1050 FA
- [9] - with 2 pins D4x8 - See instruction107141734A\_mounting D-bearing cover NA5  
TSB-PPW-2015-002 NA5.2 Pump Information
- [10] - 5-32 PA –Machine no. 107146700, 107146701 MC 5M 100/770  
5-30 PA 240/1/50-  
  
5-41 PA , 220/440/3/60
- [11] - 5-47 PA – Machine no. 107146703 MC 5M 170/980 PA, 200/3/60 JP
- [12] - 5-41 PA – Machine no. 107146705 MC 5M 180/840 PA, 400/3/50
- [13] - 5-56 PA - Machine no. 107146713MC 5M 200/1050 PA, 60Hz
- [14] - 5-52 FA, 5-47 PA –  
Machine no. 107146702 MC 5M 170/980 PA 200/3/50 JP,  
107146719 MC 5M-220/1130 exp.,  
107146724 MC 5M-2300/4.8 US
- [15] - 5-53 PA -  
Machine no. 107146727, 107146728 MC 5M 200/1000  
5-56 PAFA -  
Machine no. 107146710, 107146711, 107146714, 107146715, 107146716, 107146743 MC 5M 200/1050
- [16] - 5-62 FA -  
Machine no. 107146718, 107146721, 107146722 MC 5M 220/1130 FA,400/3/50
- [17] - 5-32 PA – Machine no. 107146700, 107146701 MC 5M 100/770  
5-30 PA 240/1/50-  
5-41 PA , 220/440/3/60
- [18] - 5-52 FA, 5-47 PA –  
Machine no. 107146702 MC 5M 170/980 PA 200/3/50 JP,  
107146719 MC 5M-220/1130 exp.,  
107146724 MC 5M-2300/4.8 US
- [19] - 5-53 PA - Machine no. 107146727, 107146728 MC 5M 200/1000  
5-56 PAFA - Machine no. 107146710, 107146711, 107146714, 107146715, 107146716, 107146743 MC 5M 200/1050
- [20] - 5-62 FA -  
Machine no. 107146718, 107146721, 107146722 MC 5M 220/1130 FA,400/3/50

- 
- [21] - TSB-PPW-2018-012 NA5\_NA6 mpu. Water enters into the stator.
  - [22] - 5-62 PA - MC 5M 220/1130 PA  
5-62 FA - MC 5M 220/1130 FA  
Also order Gasket for motor, 107140875
  - [23] - 5-53 PA - MC 5M 200/1000 PA  
5-56 PA - MC 5M 200/1050 PA  
5-56 FA - MC 5M 200/1050 FA  
Also order Gasket for motor, 107140875
  - [24] - 5-52 US  
Also order Gasket for motor, 107140875
  - [25] - 5-32 PA – MC 5M 100/770 PA UK  
Also order Gasket for motor, 107140875
  - [26] - 5-47 PA – MC 5M 170/980 PA JP  
Also order Gasket for motor, 107140875
  - [27] - 5-41 PA – MC 5M 180/840 PA  
Also order Gasket for motor, 107140875
  - [28] - MC 5M-200/1050 XT 400/3/50 EU

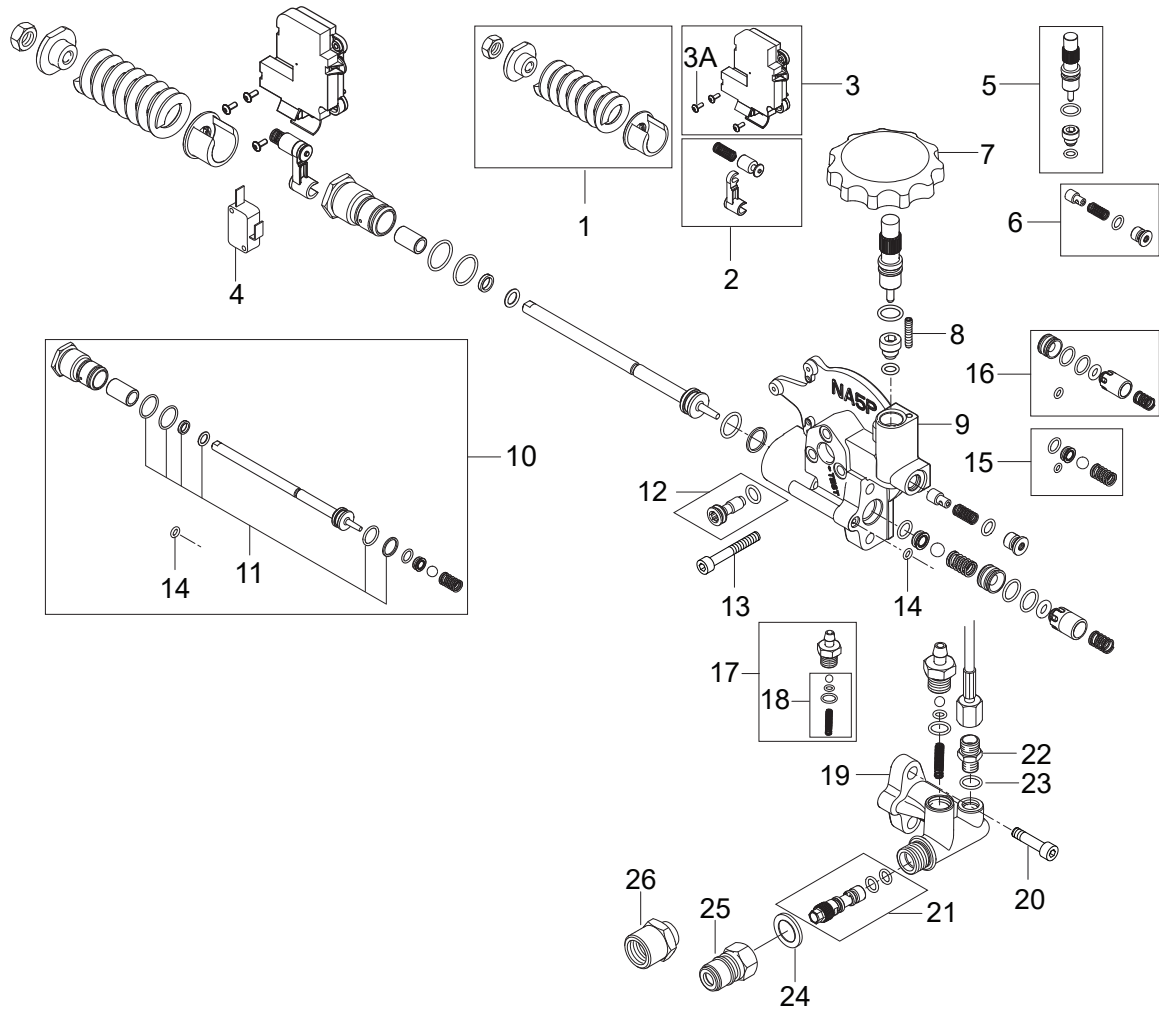


Pos.	Artikel-Nr.	Menge	Variante	Notes
1	101118121	1	Satz Ventile	
2	101118323	1	Wasserdichtungssatz	[1]
2	101118256	1	WATER SEAL NA5 HEAVYDUTY HOT SUCTION KIT	[2]
3	107144102	1	Dichtungssatz Kolben	
4	101118239	1	PISTON KIT - NA5.2	
5	107144104	1	Satz Feder	
6	107141983	1	CYLINDER BLOCK W/ O-RING NA5.2	[3]
7	107141513	3	Zylinderkopfschr M12x65	[3]
8	107141727	3	Beilagscheibe D13	[3]
9	101118078	1	Satz Flansch	
10	107140919	1	SUPPORT RING NA5 SPARE VPE 3	
11	107141968	1	CYL.SCREW M12X80 WITH NORDLOCK WASHER	[3]
12	107141969	3	WASHER NLX12SP D12.5XD25.4X4.2MM	[3]
13	107141985	1	CYLINDER HEAD NA5.2 W. SCREWS WASHERS	[3]
14	107141512	1	O-Ring D114 x D1.78	
15	4042	2	Schraube M8 X 40 8.8	
16	101118080	1	Dichtungssatz	

## Part Notes:

- [1] - TSB-PPW-2020-003 NA5 pump THRUST COLLAR changed  
DE TSB-PPW-2020-003 NA5 Pumpe - Änderung der Druckringe
- TSB-PPW-2020-003 Nouvelles bagues laiton pour pompe NA5
- [2] - Heavy duty water seal kit. Inlet temperature can be increased from 60°C (140°F) to 80°C (176°F).
- TSB-PPW-2018-001 NA5.2 Pump Heavy Duty Kit hot water  
DE TSB-PPW-2018-001 NA5.2 Pumpe Heißwasser Kit
- TSB-PPW-2018-001 Kit de joints renforcés pour pompe NA5\_2
- [3] - TSB-PPW-2015-002 NA5.2 Pump Information
- TSB-PPW-2012-007 Washer for cylinder block NA5  
DE TSB-PPW-2012-007 Unterlagscheibe Zylinderkopf

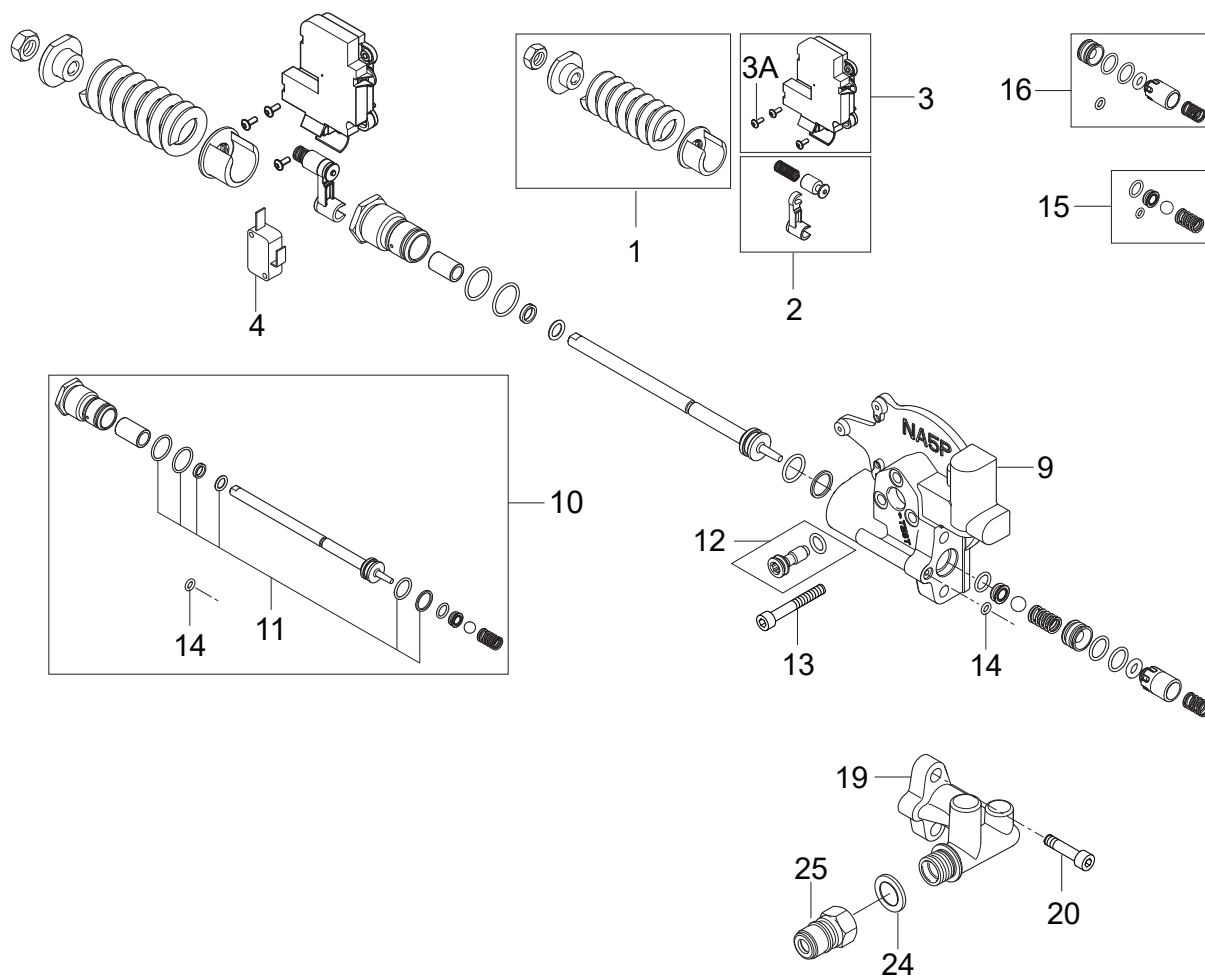




Pos.	Artikel-Nr.	Menge	Variante	Notes
1	101118091	1	Feder	[1]
1	101118092	1	DRUCKFEDER UNLACKIERT NA5 PA KIT	[2]
2	101118090	1	MICROSW. ACTIVATION REP. KIT NA5 PA	
3	101118084	1	Schaltergehäuse	
3A	107141515	3	SCREW M3X8 ISO7380 FZG TORX 10	
4	301002754	1	Mikroschalter	
4A	107143308	1	CABLE FOR MICRO SWITCH MC5	
5	101118313	1	FLOW REGULATION VALVE KIT	[3]
6	101118314	1	PRESSURE BUILD UP VALVE HIGH FLOW KIT	[3]
7	107140823	1	Drehgriff	
8	106408188	1	DIN 913 M4X20 POINTED SCREW	
9	107140884	1	UNLOADER PA NA5	[3]
10	101118294	1	STEM + SEALING REP. KIT NA5/5.2/6/6+ PA	[4]
11	101118083	1	Reparatursatz Steuerkolben	
12	107144137	1	Stopfen	
13	5100	3	Zylinderschraube M6x45	
14	107141514	1	O-RING D4 X D1.5 NBR 90	
15	101118295	1	BYPASS VALVE REP. KIT NA5.2 PA	[5]
16	101118254	1	HOLDING PRESS.V.REP. KIT NA5.2PA - UK AU	[6]
17	1119406	1	Rückschlagventil	
18	101118089	1	Reparatursatz Ventil	
19	107141516	1	Gehäuse	
20	8894	2	Schraube M8 x 20 8.8	
21	107144112	1	Injektor	
22	1821	1	Verbindungsstück	
23	101814735	1	Dichtring	
24	1801075	1	Dichtring	
25	1600493	1	Anschlusstück	
25	1603101	1	Nippel Schnellkupplung	[7]
26	64235	1	Verbindungsstück	

Part Notes:

- [1] - 5-47 PA – MC 5M 170/980 PA  
5-56 PA - MC 5M 200/1050 PA  
5-56 FA - MC 5M 200/1050 FA  
5-62 PA - MC 5M 220/1130 PA  
5-62 FA - MC 5M 220/1130 FA(5-41 PA – MC 5M 180/840 PA)
- [2] - 5-30,  
5-32 PA – MC 5M 100/770 PA
- [3] - TSB-PPW-2020-001 MH 4\_MH 5M Damper Valve removed  
DE TSB-PPW-2020-001 MH 4 MH 5M Dämpferkolben entfernt  
TSB-PPW-2020-001 MH 4M5M\_ MC 5M machine en version PA. Supression de l'anti bélier
- [4] - TSB-PPW-2017-005 Low pressure—Unloader valve for NA5.2 pump can leak internally  
DE TSB-PPW-2017-005 Niederdruck-Unloader Ventil für die NA5.2 Pumpe kann...
- [5] - TSB-PPW-2017-005 Low pressure—Unloader valve for NA5.2 pump can leak internally
- [6] - 5-32, UK and 5-30, AU  
TSB-PPW-2017-005 Low pressure—Unloader valve for NA5.2 pump can leak internally
- [7] - INOX



Pos.	Artikel-Nr.	Menge	Variante	Notes
1	101118091	1	Feder	[1]
2	101118090	1	MICROSW. ACTIVATION REP. KIT NA5 PA	
3	101118084	1	Schaltergehäuse	
3A	107141515	3	SCREW M3X8 ISO7380 FZG TORX 10	
4	101118011	1	Schalter	
4A	107143308	1	CABLE FOR MICRO SWITCH MC5	
9	107140932	1	Steuerungsventil NA5 Wasser-Reinigungsmi	
10	101118294	1	STEM + SEALING REP. KIT NA5/5.2/6/6+ PA	[2]
11	101118083	1	Reparatursatz Steuerkolben	
12	107144137	1	Stopfen	
13	5100	3	Zylinderschraube M6x45	
14	107141514	1	O-RING D4 X D1.5 NBR 90	
15	101118295	1	BYPASS VALVE REP. KIT NA5.2 PA	
16	101118254	1	HOLDING PRESS.V.REP. KIT NA5.2PA - UK AU	
19	107140933	1	Ausgangsfitting NA5 Pumpe	
20	8894	2	Schraube M8 x 20 8.8	
24	1801075	1	Dichtring	
25	1603101	1	Nippel Schnellkupplung	[3]
25	1600493	1	Anschlussstück	

Part Notes:

- [1] - 5-41 PA – MC 5M 180/840 PA  
5-53 PA - MC 5M 200/1000 PA
- [2] - TSB-PPW-2017-005 Low pressure—Unloader valve for NA5.2 pump can leak internally  
DE TSB-PPW-2017-005 Niederdruck-Unloader Ventil für die NA5.2 Pumpe kann...
- [3] - INOX

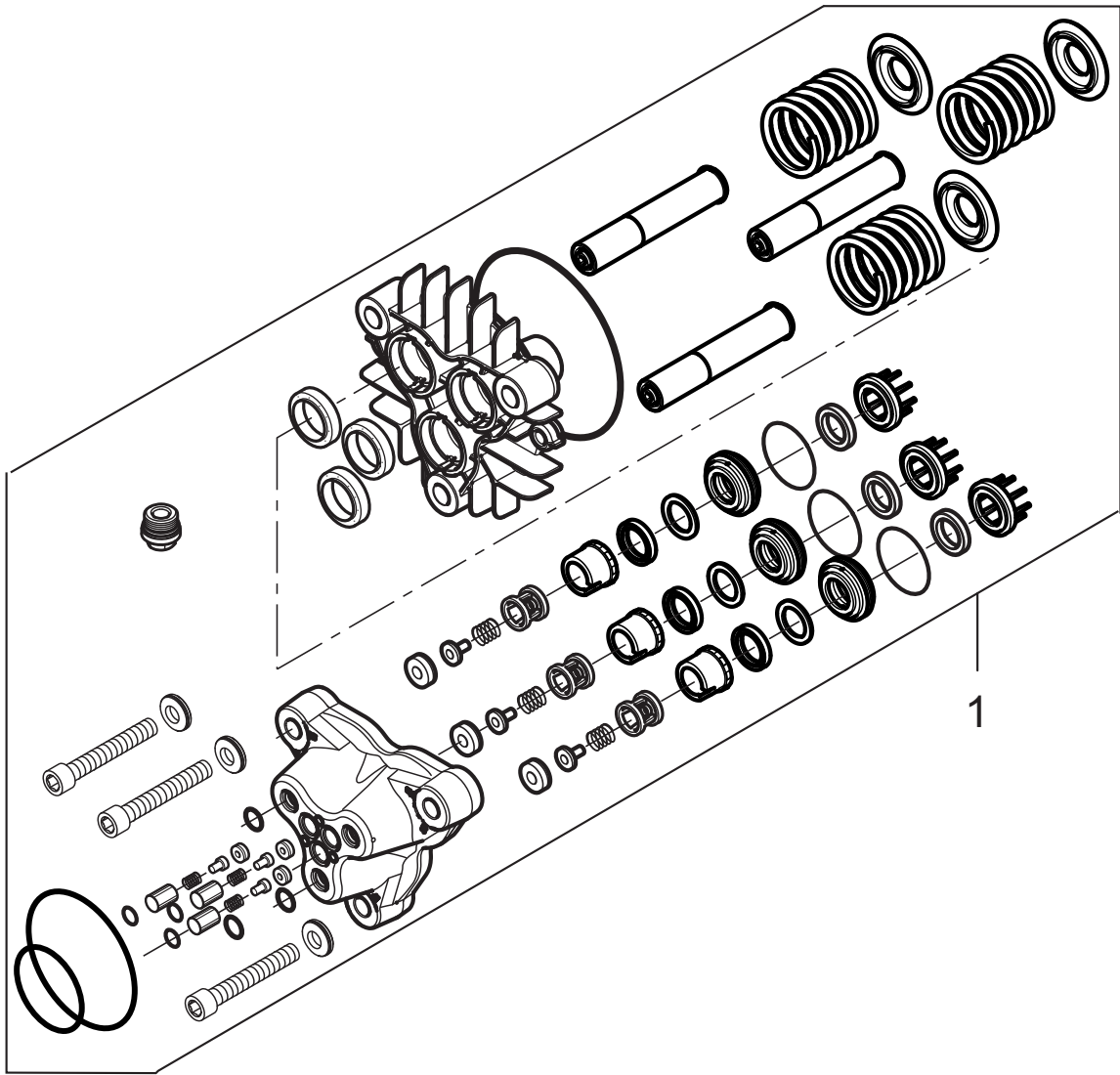


Pos.	Artikel-Nr.	Menge	Variante	Notes
	101118106	1	Satz Befestigungsteile	
	101118111	1	Satz Befestigungsteile	
	101118102	1	Kurbel	
	107141632	1	KABELHALTERUNG	
	107141668	1	Wassereinlass	
	107141652	1	Manometer Röhre	
	107141679	1	Schlauchführung	
	107141676	1	Anschlussstück	
	107141663	1	Tülle	
	107141635	1	Reinigungsmitteltank	
	107141664	1	Deckel	
	107141670	1	Schlauch	
	107141667	1	Sicherungsring	
	107141629	1	Schlauchhalterung	
	107141650	1	Halter	
	107141634	1	Hinterteil	
	101118103	1	Schlauchführung	
	107141633	1	Klemmleiste	[1]
	107141648	1	MANOMETER 0-300 BAR	
	107141630	1	Lanzenhalterung NA	
	107141653	1	MANOMETER TUBE FA MODELS	
	101118104	1	Satz Befestigungsteile	
	101118101	1	Griffschale	
	107141615	1	Stützfuß	
	107141627	1	SCREW K50X40 T20	
0A	101118080	1	Dichtungssatz	
0A	107144100	1	Ventilsatz NA 5	
0A	101118083	1	Reparatursatz Steuerkolben	
0A	101118314	1	PRESSURE BUILD UP VALVE HIGH FLOW KIT	[2]
0A	107144102	1	Dichtungssatz Kolben	
0A	101118050	1	SEALING KIT FOR NA6	
0A	3004221	1	O-RING 16X2 NITRIL 70 SHORE	
0A	101118056	1	Rückschlagventil	[3]
0A	101118055	1	MAGNET AND HOUSE FOR FLOW SWITCH-KIT NA6	
0A	101117926	1	Sieb	
0B	101118295	1	BYPASS VALVE REP. KIT NA5.2 PA	
0B	101118294	1	STEM + SEALING REP. KIT NA5/5.2/6/6+ PA	
0B	107144104	1	Satz Feder	
0B	101118239	1	PISTON KIT - NA5.2	
0B	106408216	1	Mikroschalter	
0B	107144112	1	Injektor	
0C	101118242	1	WOBBLE DISC 10.9 DEG. BEARING KIT NA5.2	
0C	101118247	1	WOBBLE DISC 8.7 DEG. BEARING KIT NA5.2	
0C	101118245	1	WOBBLE DISC 9.15 DEG. BEARING KIT NA5.2	
0C	101118241	1	WOBBLE DISC 12 DEG. BEARING KIT NA5.2	
0C	101118246	1	WOBBLE DISC 8.4 DEG. BEARING KIT NA5.2	
0C	101118249	1	WOBBLE DISC 7.2 DEG. BEARING KIT NA5.2	
0C	101118243	1	WOBBLE DISC 10.2 DEG. BEARING KIT NA5.2	
0C	101118051	1	PLUG FOR UNLOADER VALVE FA - KIT NA6	
0C	301000263	1	Sicherung	
0C	301001058	1	Schalter	
0C	107142761	1	START RELAY RVA4G0C	
0C	107141957	1	MOTOR 4KW 200/3/50-60HZ JP 5-47 JP	
0C	101118091	1	Feder	
0C	101118117	1	Steuereinheit - Kit NA5	
0C	31000149	1	Lager RF	
0C	107141619	1	CAPACITOR 170MF	
0C	103822303	1	Schütz CJX2-D18 18A 400V 3P+NO	
0C	301000402	1	Widerstand 15 kΩ	

Pos.	Artikel-Nr.	Menge	Variante	Notes
0C	31000151	1	Hinteres Lager EME	
0C	101118089	1	Reparatursatz Ventil	
0C	107143182	1	CAPACITOR 70UF 450/500V RP-3	
0C	107141954	1	MOTOR 5.5 KW 220/230-400/440/3/50/60 EU	
0C	101118090	1	MICROSW. ACTIVATION REP. KIT NA5 PA	
0C	107141956	1	MOTOR 2.2 KW/230/1 50HZ	
0C	64773	1	Hilfskontakt 100-SBL11	
0C	101118011	1	Schalter	
0C	103822314	1	Schütz 100-C30KF10	
0C	107141953	1	MOTOR 6.7KW 220-440/230-400/3 50/60HZ-EU	
0C	101118078	1	Satz Flansch	
0C	63910	1	Schütz 100-C23KF10	
0C	1119406	1	Rückschlagventil	
0C	106408189	1	NUT M8 X 1 FOR UNLOADER VALVE FA	
0C	107141955	1	MOTOR 5.2 KW/220/1 60HZ 5-52 US	
0C	107141967	1	D-BEARING COVER COMPLETE NA5.2	
0C	103822304	1	Schütz CJX2-D18 18A 230V 3P+NO	
0C	107141958	1	MOTOR 4KW 230-400/220-440 3/50-60HZ NA5	
0C	107141666	1	PCB POSEIDON 5-6-7	

Part Notes:

- [1] - ECN-1010232
- [2] - TSB-PPW-2020-001 MH 4\_MH 5M Damper Valve removed
- [3] - Spring included: OD8,2 x L9,3 x d0,5





# 101118324 - NA5.2 Pump kit

POSEIDON 5-56 PA / MC 5M 200/1050 PA

2017.11.02

2020.05.04

---

Pos.	Artikel-Nr.	Menge	Variante	Notes
1	101118324	1	PUMP KIT NA5.2	[1]

Part Notes:

[1] - TSB-PPW-2020-003 NA5 pump THRUST COLLAR changed



Pos.	Artikel-Nr.	Menge	Variante	Notes
1	106403122	1	ERGO 2000 STANDARD W. HOSE SWIVEL	[1]
1	106403154	1	ERGO 2000 SPRAY GUN W/O LOGO ACC.	[2]
2	106403010	1	TORNADO PLUS 1120 Geb. o. Düse	[3]
3	101119741	1	HD-Düse 0500 TORNADO	[4]
3	101119746	1	HD-Düse 0650 TORNADO hell	[5]
3	101119742	1	HD-Düse 0530 TORNADO	[6]
3	101119738	1	Düse NT0400	[7]
3	301150005	1	HD-Düse 0475 TORNADO	[8]
4	106403003	1	TurboHammer Plus 050 W12	[9]
4	106402291	1	TURBOHAMMER PLUS 1140	[10]
4	65437	1	Rotordüse 040	[7]
5	101405770	1	HD-Schlauch DN 8x10m	[11]
5	101406175	1	HP-HOSE DN6 15M 3/8-3/8 F. QUICK COUPL	[12]
5	301001101	1	HD-Schlauch DN8x20m	[13]
5	301001100	1	HOCHDRUCKSCHLAUCH ALTO DN 8 15M	[11]
10	106403142	1	Sandfilter-Set f. POS-Mod	[14]
11	106403165	1	Sandfilter-Set f. POS	[15]
12	106403143	1	Schlauchrolle Satz	[16]
13	101118105	1	Schlauchführung	[16]
14	106403145	1	Lenkrollen-Set	[17]
15	106403144	1	Wasservorlaufbehälter Poseidon 5,6,7,8	[18]
16	106403160	1	Kranaufrichtung bis 1000kg	[19]
17	106403162	1	Reinigungsmitteltank	[20]
18	106403166	1	Öl Niedrigstand Schutz	[21]

Part Notes:

- [1] - ERGO 2000 Spray handle
- [2] - UNITOR
- [3] - TORNADO PLUS lance
- [4] - 5-47 J, 5-53, 5-56
- [5] - 5-52 US
- [6] - 5-62
- [7] - 5-41
- [8] - 5-32
- [9] - 5-32

- TURBOHAMMER PLUS lance
- [10] - 5-53  
TURBOHAMMER PLUS lance
- [11] - HOSES Overview
- [12] - POSEIDON 5-41 PAXT, 5-53 PAXT  
HOSES Overview
- [13] - POSEIDON 5- 62 PAXT  
HOSES Overview
- [14] - SANDFILTER KIT POSEIDON 5-6-7 from September 2012
- [15] - PRUNED-NO REPLACEMENT  
SANDFILTER FOR WBT POSEIDON 5-6-7 from September 2012
- [16] - Hose reel
- [17] - PRUNED-NO REPLACEMENT  
106403145 - Front wheel kit
- [18] - PRUNED-NO REPLACEMENT  
106403144 - WATER BRAKE TANK POSEIDON 5-6-7 from September 2012
- [19] - PRUNED ACCESSORY
- Crane roundsling 1000kg 50cm
- [20] - 106403162 - Detergent tank with safety cap
- [21] - PRUNED-NO REPLACEMENT
- 106403166 - Low pump oil safety function for POSEIDON 5

